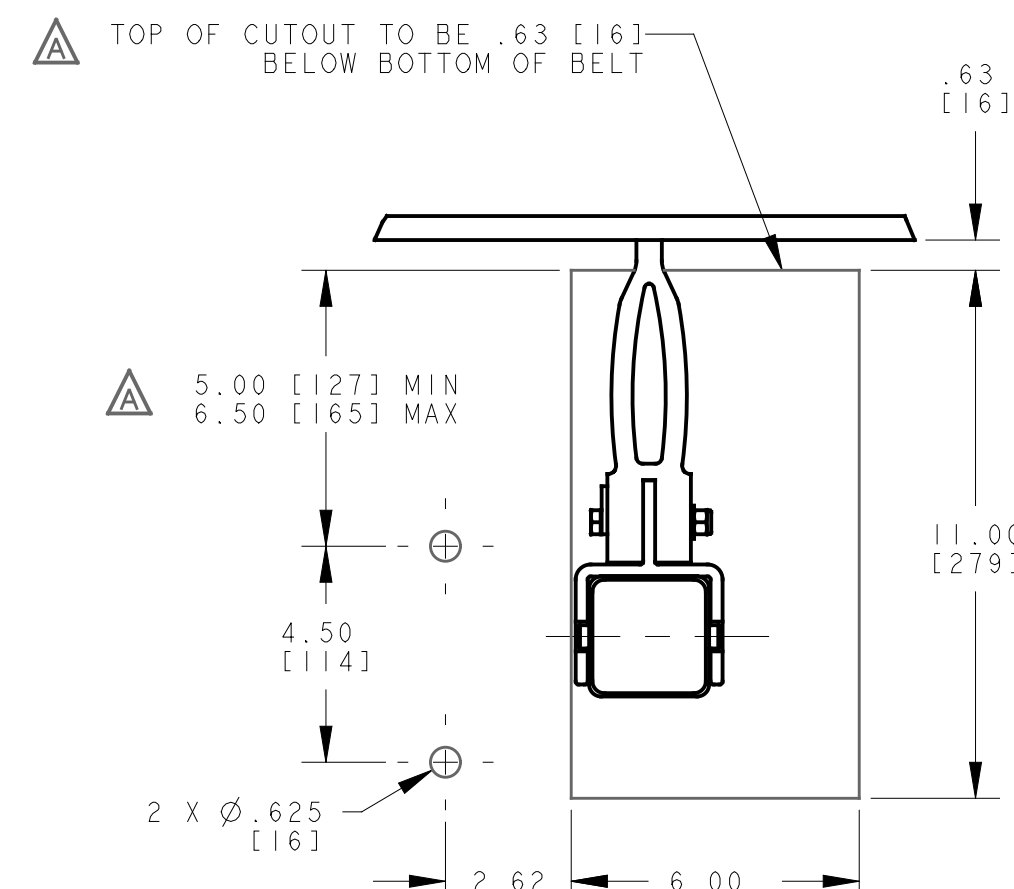
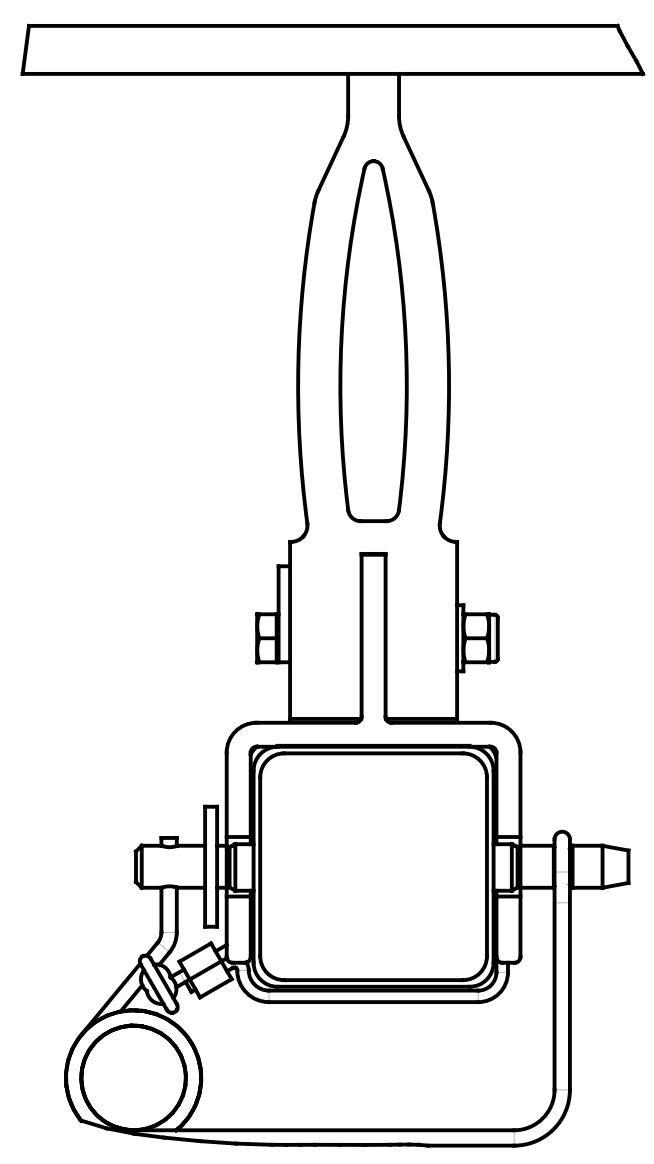


PART NO.	DIM "A" BLADE WIDTH	DIM "B" MNFRM LENGTH
SQC2S-18X12X3XXX	12.00 [305]	48.00 [1219]
SQC2S-18X18X3XXX	18.00 [457]	48.00 [1219]
SQC2S-24X18X3XXX	18.00 [457]	54.00 [1372]
SQC2S-24X24X3XXX	24.00 [610]	54.00 [1372]
SQC2S-30X24X3XXX	24.00 [610]	60.00 [1524]
SQC2S-30X30X3XXX	30.00 [762]	60.00 [1524]
SQC2S-36X30X3XXX	30.00 [762]	66.00 [1676]
SQC2S-36X36X3XXX	36.00 [914]	66.00 [1676]
SQC2S-42X36X3XXX	36.00 [914]	72.00 [1829]
SQC2S-42X42X3XXX	42.00 [1067]	72.00 [1829]
SQC2S-48X42X3XXX	42.00 [1067]	78.00 [1981]
SQC2S-48X48X3XXX	48.00 [1219]	78.00 [1981]
SQC2S-54X48X3XXX	48.00 [1219]	84.00 [2134]
SQC2S-54X54X3XXX	54.00 [1372]	84.00 [2134]
SQC2S-60X54X3XXX	54.00 [1372]	90.00 [2286]
SQC2S-60X60X3XXX	60.00 [1524]	90.00 [2286]
SQC2S-66X60X3XXX	60.00 [1524]	96.00 [2438]
SQC2S-66X66X3XXX	66.00 [1676]	96.00 [2438]
SQC2S-72X66X3XXX	66.00 [1676]	102.00 [2591]
SQC2S-72X72X3XXX	72.00 [1829]	102.00 [2591]
SQC2S-78X72X3XXX	72.00 [1829]	108.00 [2743]
SQC2S-78X78X3XXX	78.00 [1981]	108.00 [2743]
SQC2S-84X78X3XXX	78.00 [1981]	114.00 [2896]
SQC2S-84X84X3XXX	84.00 [2134]	114.00 [2896]
SQC2S-90X84X3XXX	84.00 [2134]	120.00 [3048]
SQC2S-90X90X3XXX	90.00 [2286]	120.00 [3048]
SQC2S-96X90X3XXX	90.00 [2286]	126.00 [3200]
SQC2S-96X96X3XXX	96.00 [2438]	126.00 [3200]

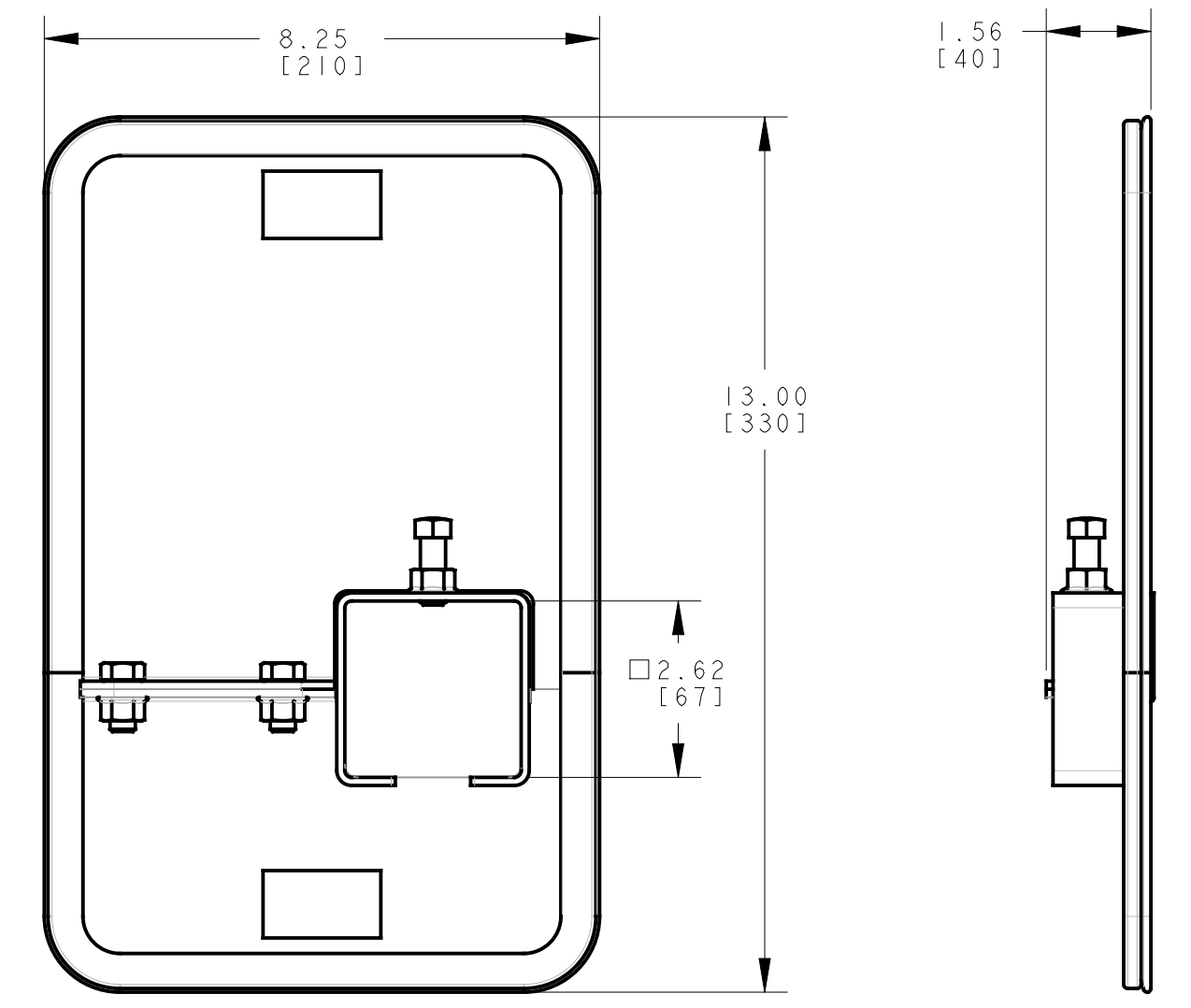
BLADE CHART	
PART NO.	COLOR
SQC2S-XRRXB3XXX	BROWN
SQC2S-XRRXG3XXX	GREEN
SQC2S-XRRXN3XXX	NAVY BLUE
SQC2S-XRRXO3XXX	ORANGE



CHUTE CUTOUT DETAIL WITH TENSIONER MOUNTED ON THE LEFT SIDE SEE NOTE 10

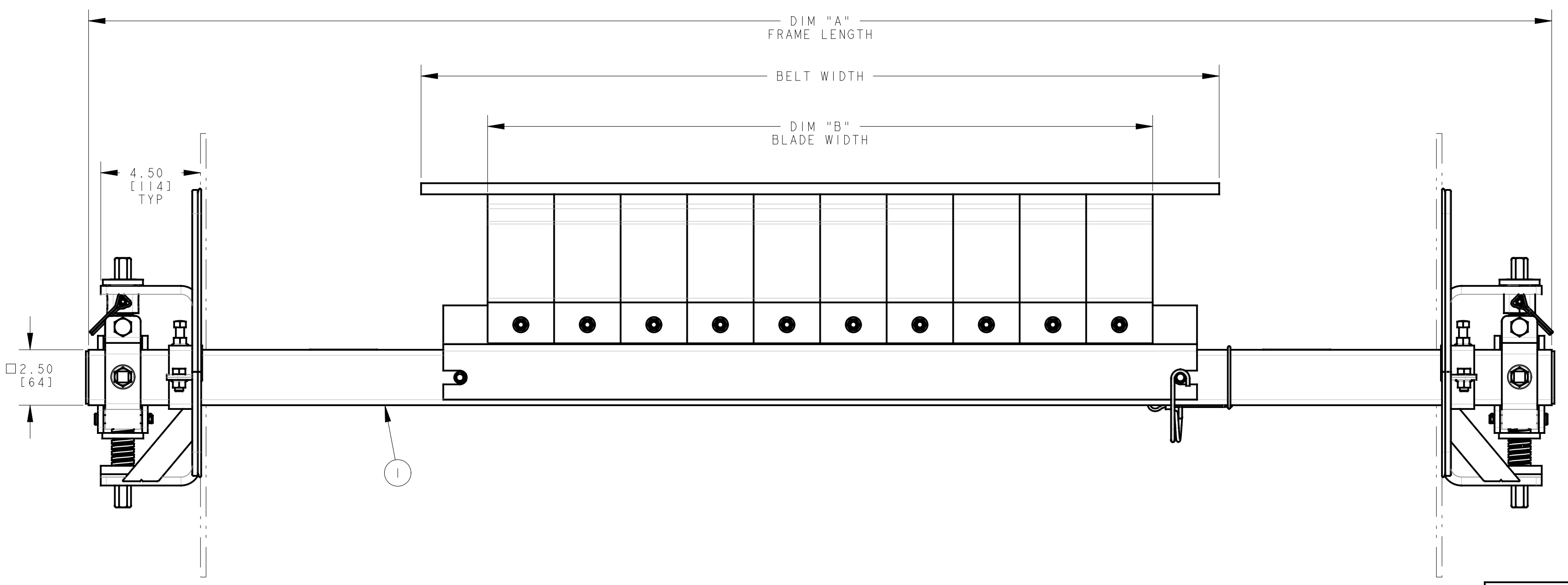
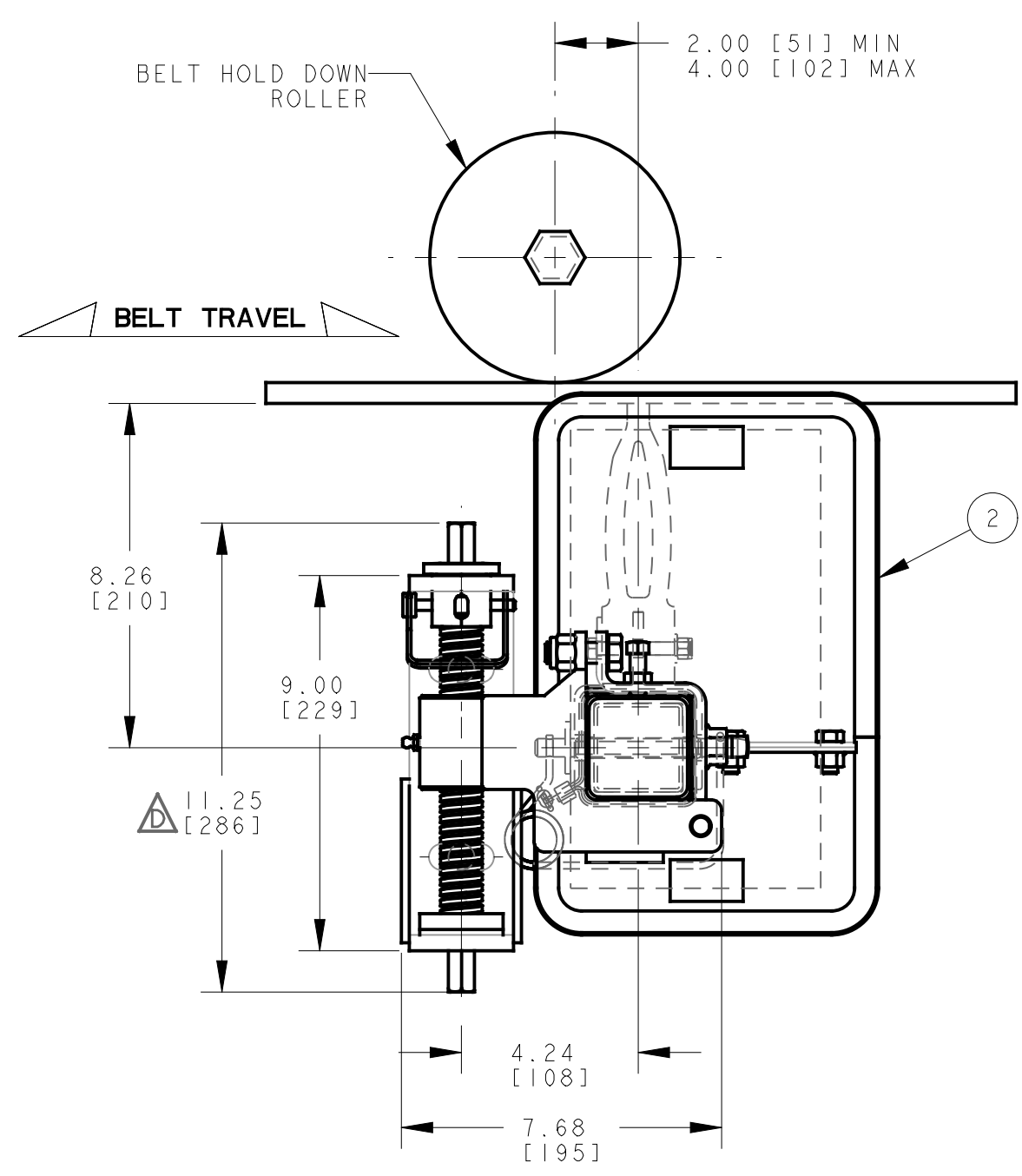


BLADE INSTALLATION DETAIL SCALE 1/2



DUST TIGHT COVER DOOR DETAIL SCALE 3/8

PART NO.	DIM "A" BLADE WIDTH	DIM "B" MNFRM LENGTH
SQC2S-18X12X3EXX	12.00 [305]	66.00 [1676]
SQC2S-18X18X3EXX	18.00 [457]	66.00 [1676]
SQC2S-24X18X3EXX	18.00 [457]	72.00 [1829]
SQC2S-24X24X3EXX	24.00 [610]	72.00 [1829]
SQC2S-30X24X3EXX	24.00 [610]	78.00 [1981]
SQC2S-30X30X3EXX	30.00 [762]	78.00 [1981]
SQC2S-36X30X3EXX	30.00 [762]	84.00 [2134]
SQC2S-36X36X3EXX	36.00 [914]	84.00 [2134]
SQC2S-42X36X3EXX	36.00 [914]	90.00 [2286]
SQC2S-42X42X3EXX	42.00 [1067]	90.00 [2286]
SQC2S-48X42X3EXX	42.00 [1067]	96.00 [2438]
SQC2S-48X48X3EXX	48.00 [1219]	96.00 [2438]
SQC2S-54X48X3EXX	48.00 [1219]	102.00 [2591]
SQC2S-54X54X3EXX	54.00 [1372]	102.00 [2591]
SQC2S-60X54X3EXX	54.00 [1372]	108.00 [2743]
SQC2S-60X60X3EXX	60.00 [1524]	108.00 [2743]
SQC2S-66X60X3EXX	60.00 [1524]	114.00 [2896]
SQC2S-66X66X3EXX	66.00 [1676]	114.00 [2896]
SQC2S-72X66X3EXX	66.00 [1676]	120.00 [3048]
SQC2S-72X72X3EXX	72.00 [1829]	120.00 [3048]
SQC2S-78X72X3EXX	72.00 [1829]	126.00 [3200]
SQC2S-78X78X3EXX	78.00 [1981]	126.00 [3200]
SQC2S-84X78X3EXX	78.00 [1981]	132.00 [3353]
SQC2S-84X84X3EXX	84.00 [2134]	132.00 [3353]
SQC2S-90X84X3EXX	84.00 [2134]	138.00 [3505]
SQC2S-90X90X3EXX	90.00 [2286]	138.00 [3505]
SQC2S-96X90X3EXX	90.00 [2286]	144.00 [3658]
SQC2S-96X96X3EXX	96.00 [2438]	144.00 [3658]



- NOTES:
- 1) ALL DIMENSIONS ARE GIVEN IN INCHES [MM].
  - 2) ALL DIMENSIONS ARE FOR REFERENCE ONLY.
  - 3) FOR EASE OF ACCESSIBILITY AND MAINTENANCE MARTIN ENGINEERING RECOMMENDS BOLTING CLEANER TO EXISTING STRUCTURE WHEN APPLICABLE.
  - 4) DUE TO STRUCTURAL TOLERANCES IN THE FIELD, DIMENSIONS AND LOCATIONS MAY VARY.
  - 5) WHERE EXTREME AND UNUSUAL CONDITIONS EXIST, OR SPECIAL MAINFRAME LENGTHS ARE REQUIRED, CONTACT MARTIN ENGINEERING.
  - 6) CUSTOMER MAY HAVE TO MODIFY STRUCTURE TO PROPERLY INSTALL CLEANER.
  - 7) REFER TO OPERATOR'S MANUAL (M3820) FOR ADDITIONAL AND OPTIONAL INSTALLATION INSTRUCTIONS.
  - 8) MARTIN ENGINEERING RECOMMENDS POSITIONING OF AN IDLER FOR PROPER BACKING SUPPORT OF THE CLEANER IF NOT LOCATED ON THE HEAD PULLEY.

- NOTES (CONT'D):
- 9) MAINFRAME IS SUPPLIED LONGER THAN REQUIRED, FIELD CUT TO DESIRED LENGTH.
  - 10) LOCATE AND DRILL HOLES FOR TENSIONER BEFORE LOCATING ACCESS WINDOW. NOTE TENSIONER LT/RT MOUNTING DIRECTION.
  - 11) IN THE CLEANER P/N, THE FIRST TWO XX'S INDICATE THE BELT WIDTH: (18 THRU 96). THE R INDICATES THE BLADE TYPE: (R= REVERSING URETHANE - SEE BLADE CHART); THE NEXT TWO XX'S INDICATE THE BLADE CLEANING WIDTH: (18 THRU 96). THE NEXT TWO XX'S INDICATE THE URETHANE COLOR: (B3=BROWN, G3=GREEN, O3=ORANGE, N3=NAVY BLUE OR O3=NO BLADES). THE NEXT X INDICATES THE MAINFRAME OPTIONS: (E=EXTENDED LENGTH PAINTED STEEL MAINFRAME, P=PAINTED STEEL MAINFRAME, S=STAINLESS STEEL MAINFRAME). THE NEXT X INDICATES IF A TENSIONER IS INCLUDED. THE LAST X INDICATES IF ADDITIONAL OPTIONS ARE INCLUDED. (D = DUST TIGHT STEEL COVER DOOR).

©Copyright 2020 Martini Engineering. All rights reserved. Covered by U.S. and foreign patents pending and issued. ® and TM indicate trademarks of Martini Engineering.

**MARTIN ENGINEERING**  
NEPONSET, IL USA

NO.	DESCRIPTION	ECN	DATE	BY
D	CHGD DIM 10.28 TO 11.25	15706	09/02/20	JAH
C	CHGD MANUAL P/N IN NOTE FROM M3820 TO M3820	15452	08/28/19	JAH
B	ADDED CHART W/EXTENDED MAINFRAME DIM'S	----	04/26/13	MJB
A	UPDATED MILLIMETER DIMENSIONS FOR DIM "B" / CHGD DIM FROM 5.75 MIN/6.25 MAX TO 5.00 MIN/6.50 MAX / CHGD FROM TOP OF CUTOUT ALIGNED WITH BOTTOM OF BELT TO CUTOUT .63 BELOW BOTTOM OF BELT	13161	09/06/11	RND

TITLE	DATE	BY
MARTIN® SQC2™ SQ MNFRM SECONDARY BELT CLEANER WITH REVERSING BLADES	04/26/11	MJB
SALES DRAWING	04/28/11	MJB

APPROVED DW DATE 04/28/11 SCALE 1/4

PR12029 S50081-R