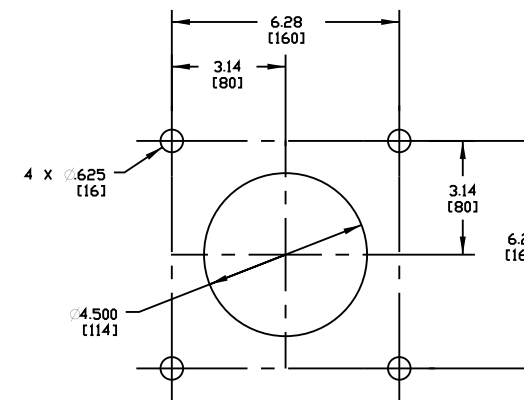
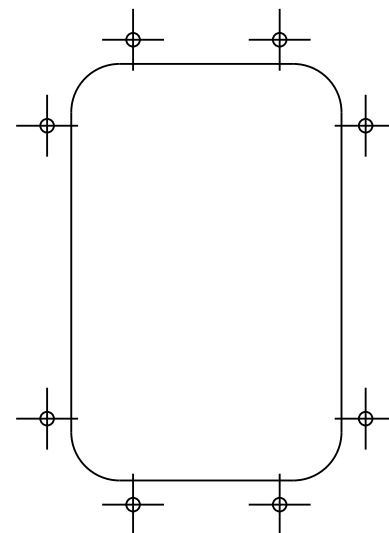


PART NO.	BELT WIDTH	DIM "A" FRAME LENGTH	DIM "B" BLADE COVERAGE	QTY BLADES
QC1X-18MX12XXXX	18.00 [400-500]	66.00 [1676]	12.04 [306]	2
QC1X-24MX12XXXX	24.00 [500-650]	72.00 [1829]	12.04 [306]	2
QC1X-24MX18XXXX	24.00 [500-650]	72.00 [1829]	18.06 [459]	3
QC1X-30MX18XXXX	30.00 [650-800]	78.00 [1981]	18.06 [459]	3
QC1X-30MX24XXXX	30.00 [650-800]	78.00 [1981]	24.08 [612]	4
QC1X-36MX24XXXX	36.00 [800-1000]	84.00 [2134]	24.08 [612]	4
QC1X-36MX30XXXX	36.00 [800-1000]	84.00 [2134]	30.10 [765]	5
QC1X-42MX30XXXX	42.00 [1000-1200]	90.00 [2286]	30.10 [765]	5
QC1X-42MX36XXXX	42.00 [1000-1200]	90.00 [2286]	36.12 [917]	6
QC1X-48MX36XXXX	48.00 [1200-1400]	96.00 [2438]	36.12 [917]	6

ASSEMBLY PART NO.	COLOR
QC1X-XXMXXDRXX	ORANGE

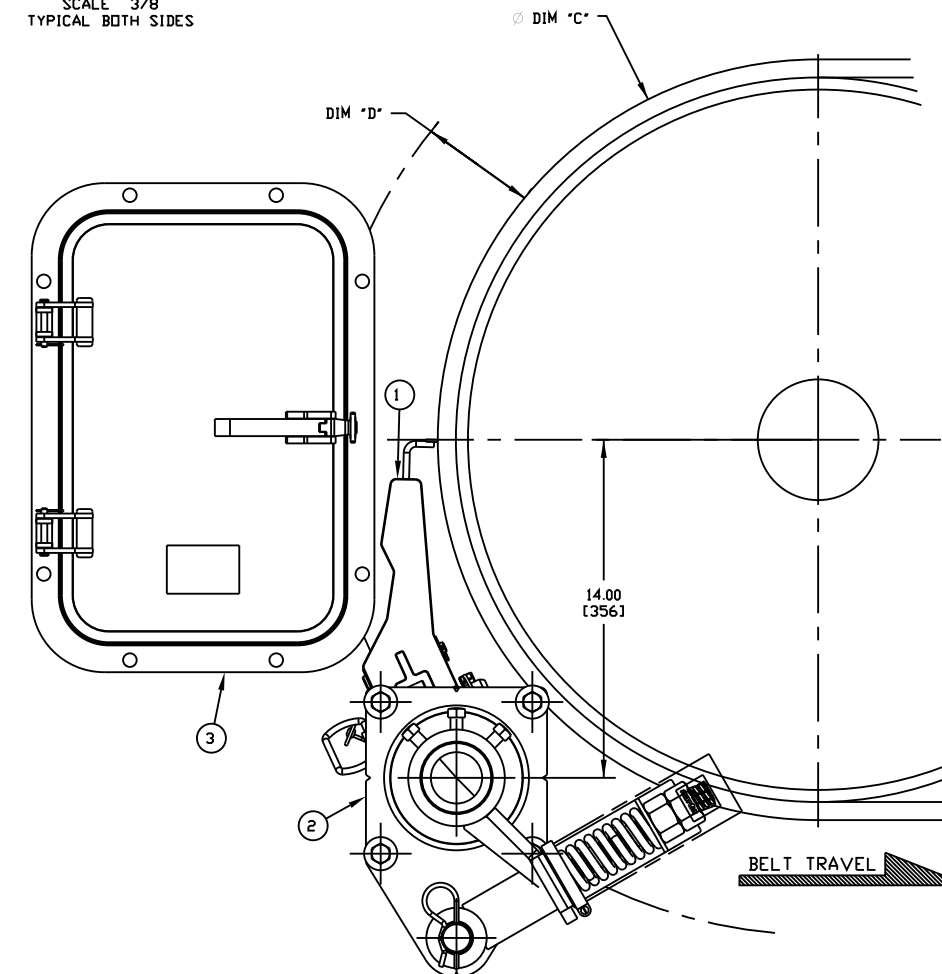
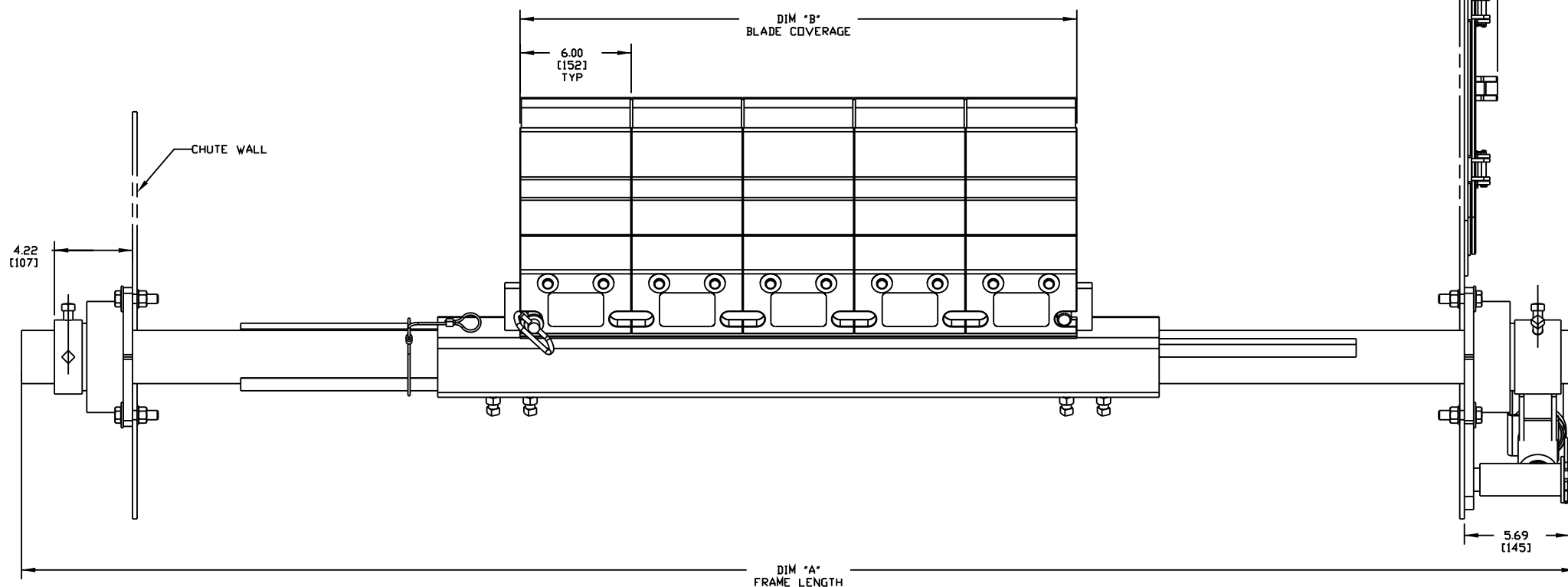
MOUNTING LOCATION CHART	
DIM "C" HEAD PULLEY DIAMETER *	DIM "D"
14 [356]	8.25 [210]
16 [406]	7.50 [191]
18 [457]	7.00 [178]
20 [508]	6.50 [165]
22 [559]	6.25 [159]
24 [610]	5.75 [146]
26 [660]	5.50 [140]
28 [711]	5.00 [127]
30 [762]	4.75 [121]

* INCLUDES BELT AND LAGGING



TENSIONER CHUTE CUTOUT DETAIL
SCALE 3/8
TYPICAL BOTH SIDES

ACCESS DOOR CHUTE CUTOUT DETAIL
SCALE 1/4



NOTES:

- ALL DIMENSIONS ARE GIVEN IN INCHES (MM).
- ALL DIMENSIONS ARE FOR REFERENCE ONLY.
- FOR EASY ACCESSIBILITY AND MAINTENANCE, MARTIN ENGINEERING RECOMMENDS BOLTING CLEANER TO EXISTING STRUCTURE WHEN APPLICABLE.
- CLEANER IS SHOWN IN RECOMMENDED WORKING POSITION.
- WHERE EXTREME OR UNUSUAL CONDITIONS EXIST, OR SPECIAL MAINFRAME LENGTHS ARE REQUIRED CONTACT MARTIN ENGINEERING.
- REFER TO OPERATOR'S MANUALS M3722, & M3127 FOR COMPLETE INSTALLATION INSTRUCTIONS.
- FOR BELT WIDTHS 48.00 [1200-1400] AND BIGGER, MARTIN ENGINEERING RECOMMENDS USING A DUAL XHD SPRING ARM TENSIONER.
- THE XHD QC #1 MT PRE-CLEANER BLADES ARE DESIGNED TO REMOVE HEAVY CARRYBACK ONLY. DO NOT OVERTENSION.
- ONE FULL TURN OF THE TENSIONING NUT ON THE SPRING TENSIONER IS EQUAL TO .20 [5].
- BLADE COVERAGE IS LESS THAN BELT WIDTH, DUE TO POSSIBLE MISTRACKING OR DAMAGED EDGES OF THE BELT.

- IN THE ASSEMBLY P/N THE QC1X INDICATES A QUICK CHANGE PRIMARY BLADE ASM. THE FIRST TWO XX'S INDICATE BELT WIDTH. THE "M" INDICATES METAL TIPPED BLADE. THE NEXT X INDICATES BLADE TYPE:
 O = NO BLADES
 T = TUNGSTEN CARBIDE TIPPED BLADE
 C = CORROSION RESISTANT TC TIPPED BLADE
 THE NEXT TWO XX INDICATE BLADE COVERAGE.
 OO = NO BLADES
 THE NEXT TWO XX'S INDICATE BLADE COLOR:
 OO = NO BLADES
 OR = ORANGE
 THE NEXT X INDICATES MAINFRAME TYPE:
 P = STANDARD DUTY
 S = 316 STAINLESS STEEL
 THE LAST X INDICATES ACCESSORY OPTIONS:
 O = NO OPTIONS
 S = SPRING TENSIONER

Copyright 2016 Martin Engineering. All rights reserved. Covered by U.S. and Foreign patents pending and issued. ® and TM indicate trademarks of Martin Engineering.

MARTIN ENGINEERING
NEPONSET, IL USA

TITLE	DATE	BY	CHKD	APP'D
XHD QC #1 MT CLEANER W/XHD SPRING ARM TENS & 12X18 ACCESS DOOR	12/08/05	MJB	JLD	JMM
SALES DRAWING	12/19/05			
REVISION	12/22/05			

NO.	DESCRIPTION	ECN	DATE	BY
B	CHGD P/N FROM QC1M-XXXXXXX TO QC1X-XXMXXXXXX & 34955-1218XXX TO CYA-1218XX IN THE BOM/CHGD DIM FROM 2.78 TO 1.79/UPDATED ACCESS DOOR DIMS	12824	04/05/10	MJB
A	CHGD P/N FROM 35392 TO 38003 IN BOM	11608	06/07/06	MJB

PR09730 S50032-S

SCALE 1/4

