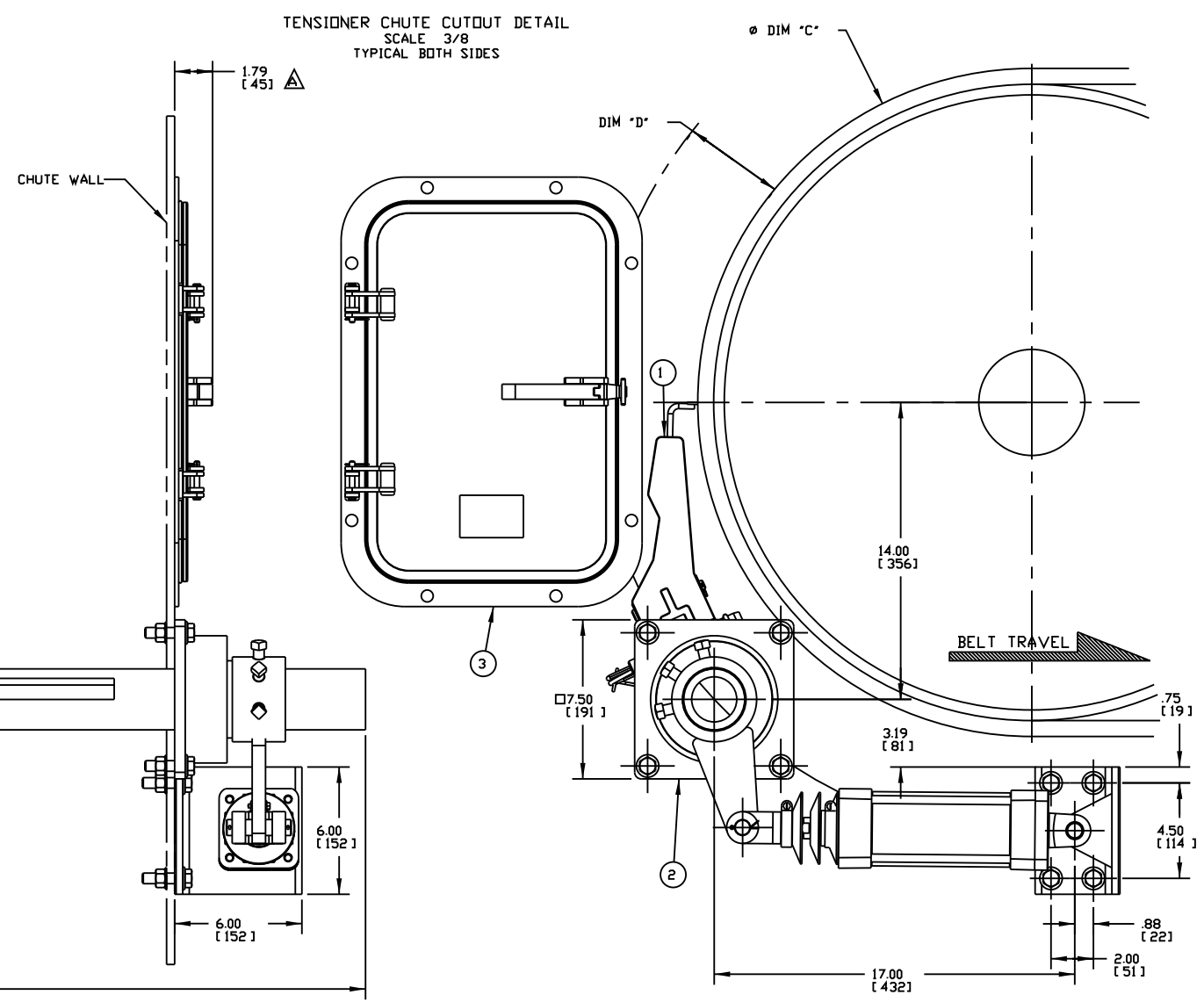
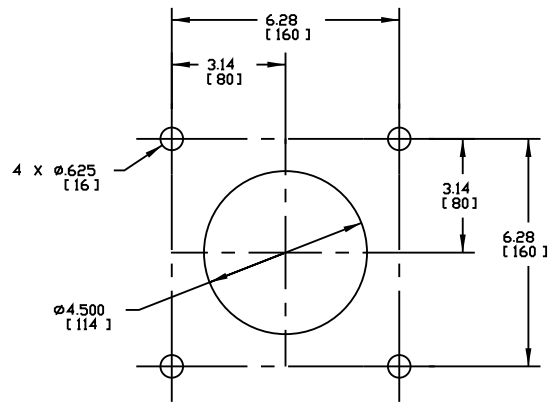
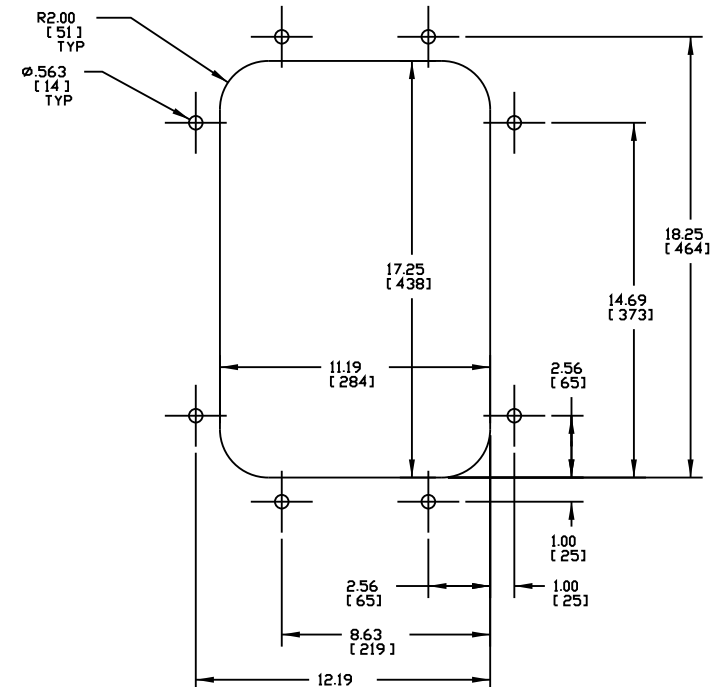
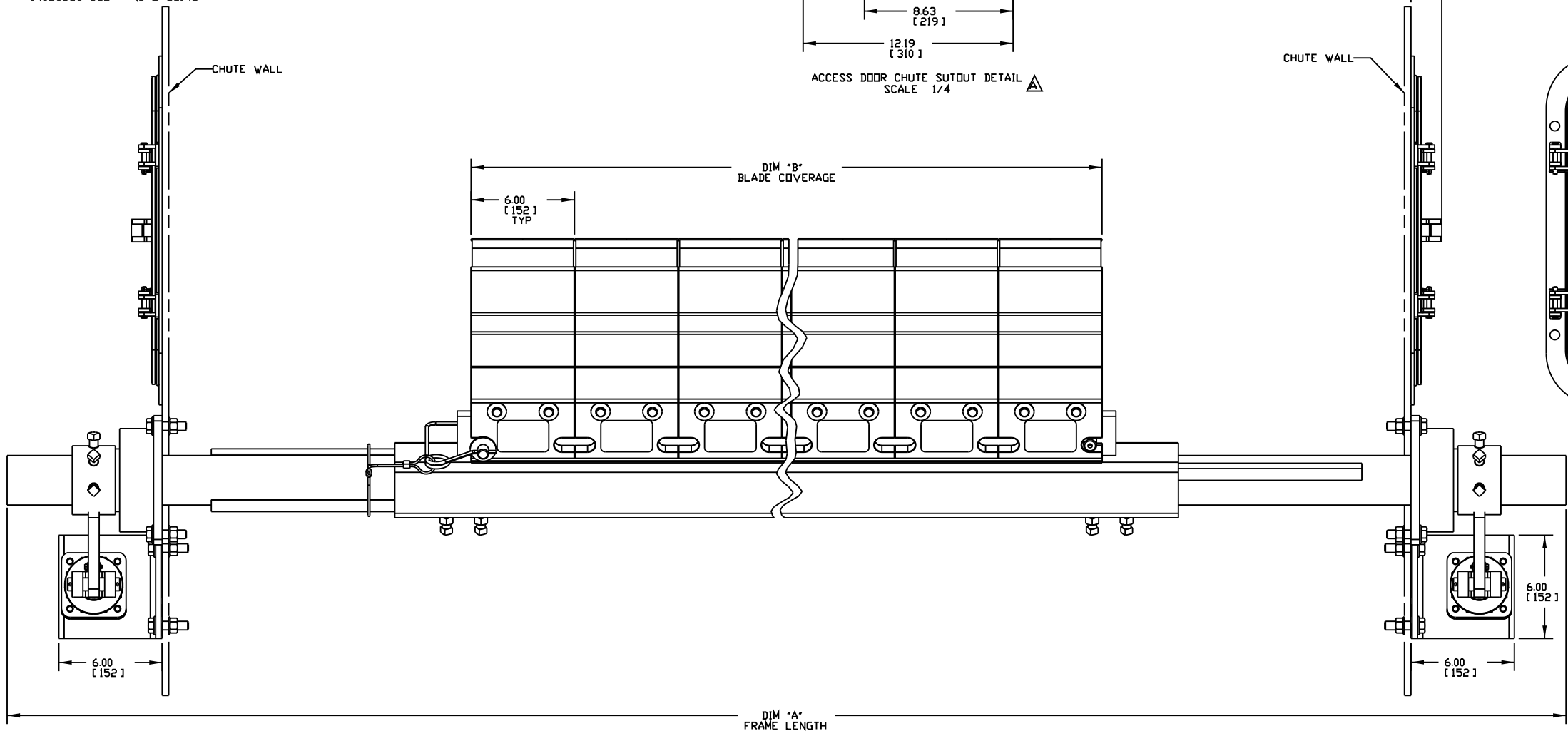


PART NO.	BELT WIDTH	DIM "A" FRAME LENGTH	DIM "B" BLADE COVERAGE	QTY BLADES	AIR PRESSURE PSI [kPa]
QCIX-48MX42XXXX	48.00 [1200-1400]	96.00 [2438]	42.14 [1070]	7	31 [214]
QCIX-54MX42XXXX	48.00 [1200-1400]	102.00 [2591]	42.14 [1070]	7	31 [214]
QCIX-54MX48XXXX	54.00 [1400-1600]	102.00 [2591]	48.16 [1223]	8	31 [214]
QCIX-60MX48XXXX	54.00 [1400-1600]	108.00 [2743]	48.16 [1223]	8	31 [214]
QCIX-60MX54XXXX	60.00 [1600-1800]	108.00 [2743]	54.18 [1376]	9	40 [276]
QCIX-66MX54XXXX	60.00 [1600-1800]	114.00 [2896]	54.18 [1376]	9	40 [276]
QCIX-66MX60XXXX	66.00 [1600-1800]	114.00 [2896]	60.20 [1529]	10	40 [276]
QCIX-72MX60XXXX	66.00 [1600-1800]	120.00 [3048]	60.20 [1529]	10	40 [276]
QCIX-72MX66XXXX	72.00 [1800-2000]	120.00 [3048]	66.22 [1682]	11	45 [310]

ASSEMBLY PART NO.	COLOR
QCIX-XXMXXDRXX	ORANGE

MOUNTING LOCATION CHART	
DIM "C" HEAD PULLEY DIAMETER *	DIM "D"
14 [356]	8.25 [210]
16 [406]	7.50 [191]
18 [457]	7.00 [178]
20 [508]	6.50 [165]
22 [559]	6.25 [159]
24 [610]	5.75 [146]
26 [660]	5.50 [140]
28 [711]	5.00 [127]
30 [762]	4.75 [121]
36 [914]	4.00 [102]
42 [1067]	3.50 [89]

* INCLUDES BELT AND LAGGING



ITEM	QTY.	DESCRIPTION	PART NUMBER
1	1	XHD QC#1 MT ASSEMBLY	QCIX-XXMXXXXXX
2	1	XHD DUAL AIR CYL TENS ASM	32135-2R
3	2	LOW PROFILE CYA DOOR	CYA-1218XXXX

- NOTES:
- ALL DIMENSIONS ARE GIVEN IN INCHES (MM).
 - ALL DIMENSIONS ARE FOR REFERENCE ONLY.
 - FOR EASY ACCESSIBILITY AND MAINTENANCE, MARTIN ENGINEERING RECOMMENDS BOLTING CLEANER TO EXISTING STRUCTURE WHEN APPLICABLE.
 - CLEANER IS SHOWN IN RECOMMENDED WORKING POSITION.
 - WHERE EXTREME OR UNUSUAL CONDITIONS EXIST, OR SPECIAL MAINFRAME LENGTHS ARE REQUIRED CONTACT MARTIN ENGINEERING.
 - REFER TO OPERATOR'S MANUALS M3722, & M3512 FOR COMPLETE INSTALLATION INSTRUCTIONS.
 - FOR BELT WIDTHS 42.00 (1000-1200) AND SMALLER, MARTIN ENGINEERING RECOMMENDS USING A SINGLE XHD AIR TENSIONER.
 - THE XHD QC #1 MT PRE-CLEANER BLADES ARE DESIGNED TO REMOVE HEAVY CARRYBACK ONLY. DO NOT OVERTENSION.
 - REFER TO CHART FOR AIR PRESSURE REQUIREMENTS FOR THE XHD AIR TENSIONER.
 - BLADE COVERAGE IS LESS THAN BELT WIDTH, DUE TO POSSIBLE MISTRACKING OR DAMAGED EDGES OF THE BELT.

- 1) IN THE ASSEMBLY P/N THE QCIX INDICATES A QUICK CHANGE PRIMARY BLADE ASM. THE FIRST TWO XX'S INDICATE BELT WIDTH. THE "M" INDICATES METAL TIPPED BLADE. THE NEXT X INDICATES BLADE TYPE:
- 0 = NO BLADES
 - T = TUNGSTEN CARBIDE TIPPED BLADE
 - C = CORROSION RESISTANT TC TIPPED BLADE
- THE NEXT TWO XX INDICATE BLADE COVERAGE:
- 00 = NO BLADES
 - OR = ORANGE
- THE NEXT X INDICATES MAINFRAME TYPE:
- P = STANDARD DUTY
 - S = 316 STAINLESS STEEL
- THE LAST X INDICATES ACCESSORY OPTIONS:
- 0 = NO OPTIONS
 - S = SPRING TENSIONER

Copyright 2010 Martin Engineering. All rights reserved. Covered by US and Foreign patents pending and issued. R and TM indicate trademarks of Martin Engineering.

MARTIN ENGINEERING NEPONSET ILLINOIS USA

TITLE	XHD QC#1 MT CLEANER W/XHD AIR TENSIONER & 12X18 ACCESS DOOR	DRAWN	RND
DATE	05/21/07	CHECKED	
ENG.	MJB	DATE	05/25/07
APPROVED	DM	DATE	05/25/07
SCALE	1/4		

NO.	DESCRIPTION	ECN	DATE	BY
A	CHGD P/N FROM QCIX-XXXXXX TO QCIX-XXXXXX & 34955-1218XX TO CYA-1218XX IN THE 12M/CHGD DIM FROM 2.78 TO 1.75/UPDATED ACCESS DOOR DIMS	12824	04/05/10	MJB

SALES DRAWING M00715 S50032-DA

