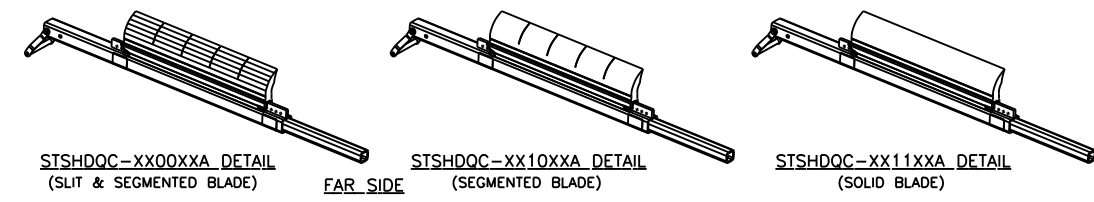


PART NUMBER	BELT WIDTH	DIMENSION "A" BLADE WIDTH	DIMENSION "B" FRAME LENGTH	DIMENSION "C" OVERALL LENGTH	PART NO. ITEM 3
STSHDQC-24X16XXA	24.00 [500-650]	16.00 [406]	38.50 [978]	55.00 [1397]	39376-24
STSHDQC-24X18XXA	24.00 [500-650]	18.00 [457]	38.50 [978]	55.00 [1397]	39376-24
STSHDQC-24X22XXA	24.00 [500-650]	22.00 [559]	38.50 [978]	55.00 [1397]	39376-24
STSHDQC-30X22XXA	30.00 [650-800]	22.00 [559]	44.50 [1130]	61.00 [1549]	39376-30
STSHDQC-30X24XXA	30.00 [650-800]	24.00 [610]	44.50 [1130]	61.00 [1549]	39376-30
STSHDQC-30X28XXA	30.00 [650-800]	28.00 [711]	44.50 [1130]	61.00 [1549]	39376-30
STSHDQC-36X28XXA	36.00 [800-1000]	28.00 [711]	50.50 [1283]	67.00 [1702]	39376-36
STSHDQC-36X30XXA	36.00 [800-1000]	30.00 [762]	50.50 [1283]	67.00 [1702]	39376-36
STSHDQC-36X34XXA	36.00 [800-1000]	34.00 [864]	50.50 [1283]	67.00 [1702]	39376-36
STSHDQC-42X34XXA	42.00 [1000-1200]	34.00 [864]	56.50 [1435]	73.00 [1854]	39376-42
STSHDQC-42X36XXA	42.00 [1000-1200]	36.00 [914]	56.50 [1435]	73.00 [1854]	39376-42
STSHDQC-42X40XXA	42.00 [1000-1200]	40.00 [1016]	56.50 [1435]	73.00 [1854]	39376-42
STSHDQC-48X40XXA	48.00 [1200-1400]	40.00 [1016]	62.50 [1588]	79.00 [2007]	39376-48
STSHDQC-48X42XXA	48.00 [1200-1400]	42.00 [1067]	62.50 [1588]	79.00 [2007]	39376-48
STSHDQC-48X46XXA	48.00 [1200-1400]	46.00 [1168]	62.50 [1588]	79.00 [2007]	39376-48
STSHDQC-54X46XXA	54.00 [1400-1600]	46.00 [1168]	68.50 [1740]	85.00 [2159]	39376-54
STSHDQC-54X48XXA	54.00 [1400-1600]	48.00 [1219]	68.50 [1740]	85.00 [2159]	39376-54
STSHDQC-54X52XXA	54.00 [1400-1600]	52.00 [1321]	68.50 [1740]	85.00 [2159]	39376-54
STSHDQC-60X52XXA	60.00 [1600-1800]	52.00 [1321]	74.50 [1892]	91.00 [2311]	39376-60
STSHDQC-60X54XXA	60.00 [1600-1800]	54.00 [1372]	74.50 [1892]	91.00 [2311]	39376-60
STSHDQC-60X58XXA	60.00 [1600-1800]	58.00 [1473]	74.50 [1892]	91.00 [2311]	39376-60
STSHDQC-66X58XXA	66.00 [1600-1800]	58.00 [1473]	80.50 [2045]	97.00 [2464]	39376-66
STSHDQC-66X60XXA	66.00 [1600-1800]	60.00 [1524]	80.50 [2045]	97.00 [2464]	39376-66
STSHDQC-66X64XXA	66.00 [1600-1800]	64.00 [1626]	80.50 [2045]	97.00 [2464]	39376-66
STSHDQC-72X64XXA	72.00 [1800-2000]	64.00 [1626]	86.50 [2197]	103.00 [2616]	39376-72
STSHDQC-72X66XXA	72.00 [1800-2000]	66.00 [1676]	86.50 [2197]	103.00 [2616]	39376-72
STSHDQC-72X70XXA	72.00 [1800-2000]	70.00 [1778]	86.50 [2197]	103.00 [2616]	39376-72

ASSEMBLY PART NO.	COLOR
STSHDQC-XXXXXXA	ORANGE
STSHDQC-XXXXXXB1A *	BLACK
STSHDQC-XXXXXXBRA	BROWN
STSHDQC-XXXXXXCLA	TAN
STSHDQC-XXXXXXGRA	GREEN
STSHDQC-XXXXXXNBA	NAVY BLUE
STSHDQC-XXXXXXCYA *	YELLOW W/BEADS

* ONLY OFFERED IN SOLID (11)

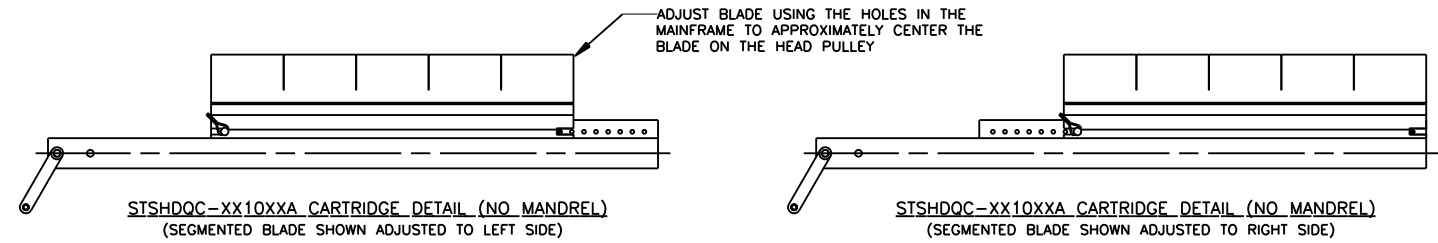
OPERATORS SIDE



STSHDQC-XX00XXA DETAIL
(SLIT & SEGMENTED BLADE)

STSHDQC-XX10XXA DETAIL
(SEGMENTED BLADE)

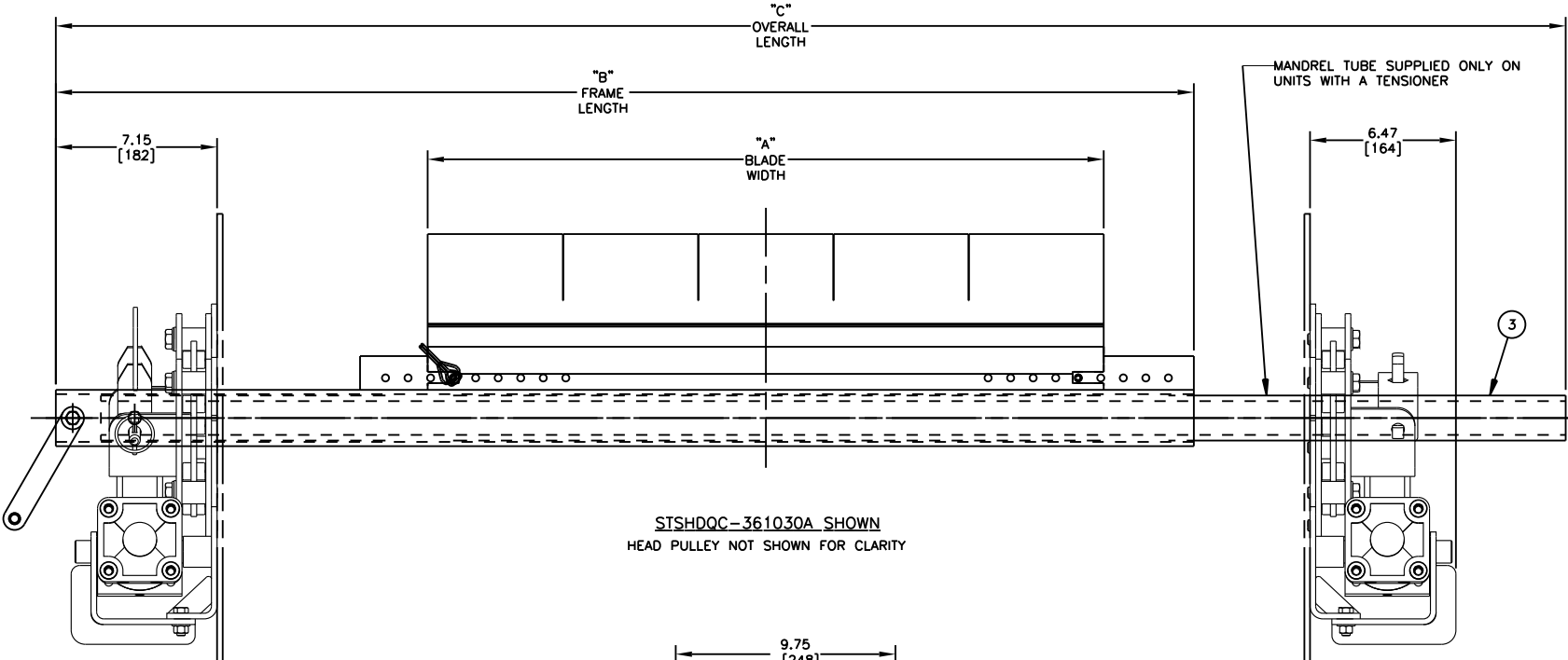
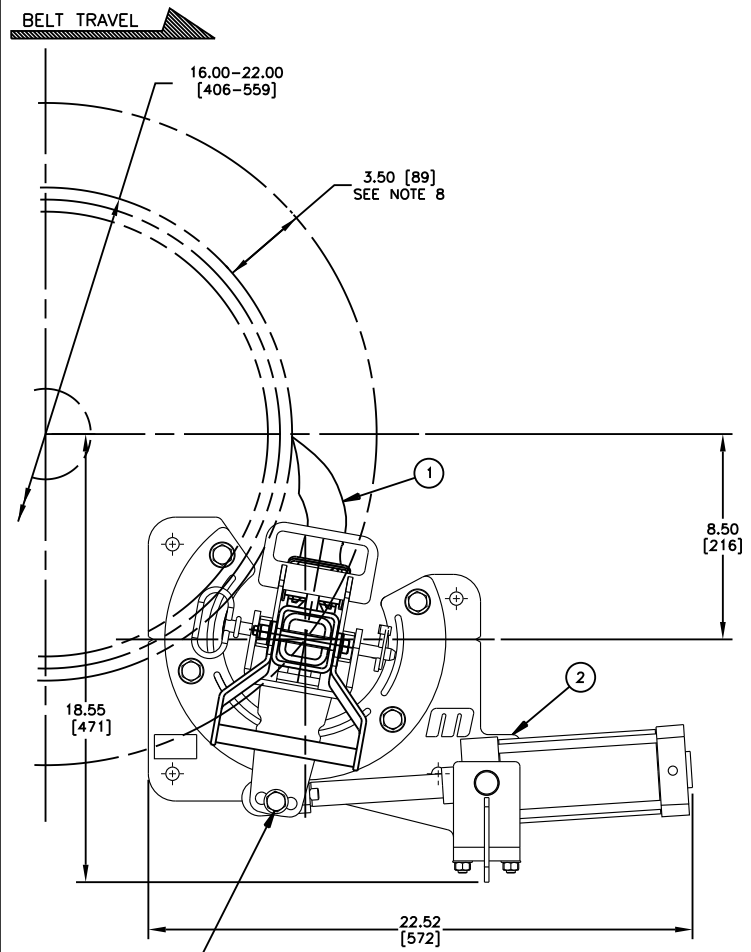
STSHDQC-XX11XXA DETAIL
(SOLID BLADE)



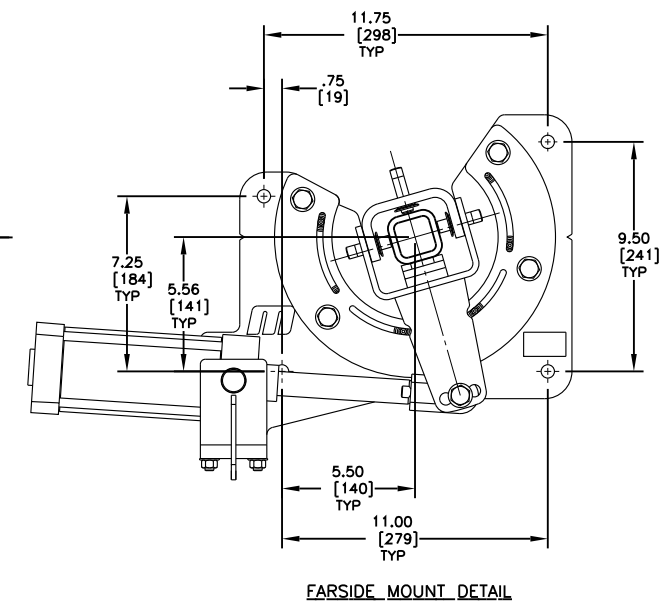
STSHDQC-XX10XXA CARTRIDGE DETAIL (NO MANDREL)
(SEGMENTED BLADE SHOWN ADJUSTED TO LEFT SIDE)

STSHDQC-XX10XXA CARTRIDGE DETAIL (NO MANDREL)
(SEGMENTED BLADE SHOWN ADJUSTED TO RIGHT SIDE)

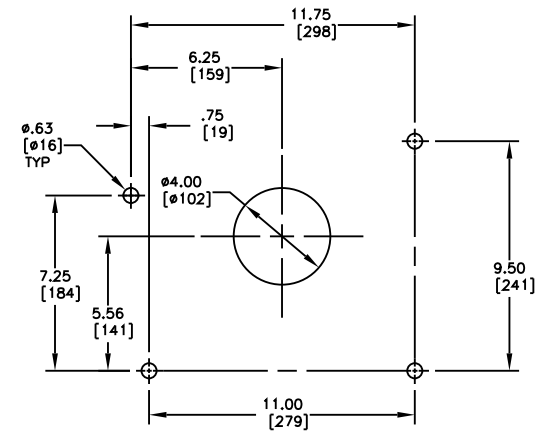
- NOTES:
- 1) ALL DIMENSIONS ARE GIVEN IN INCHES [MM] AND ARE FOR REFERENCE ONLY.
 - 2) IN THE STSHDQC-XXXXXXA PART NUMBER THE FIRST TWO XX'S INDICATE THE BELT WIDTH. THE THIRD X INDICATES A SOLID (1) OR SLIT (0) BLADE. THE FOURTH X INDICATES A SOLID (1) OR SEGMENTED (0) BLADE. THE NEXT TWO XX'S INDICATE BLADE WIDTH. THE NEXT TWO XX'S INDICATE THE BLADE COLOR/MATERIAL (SEE BLADE COLOR CHART), THE A INDICATES IF A TENSIONER/MANDREL IS INCLUDED.
 - EXAMPLES:
STSHDQC-361130A = 36" BELT WIDTH, 30" BLADE W/O SILTS AND SEGMENTS, WITH AN AIR CYLINDER TENSIONER/MANDREL.
STSHDQC-361128 = 36" BELT WIDTH, 28" BLADE W/O SILTS AND SEGMENTS, WITHOUT AN AIR CYLINDER TENSIONER/MANDREL.
 - 3) THE PRE-CLEANER BLADE IS DESIGNED FOR HEAD PULLEY'S WITH A MINIMUM EFFECTIVE DIAMETER OF 16.00 [400].
 - 4) CLEANER IS SHOWN IN RECOMMENDED WORKING POSITION.
 - 5) WHERE EXTREME OR UNUSUAL CONDITIONS EXIST, OR SPECIAL MAINFRAME LENGTHS ARE REQUIRED CONTACT MARTIN ENGINEERING.
 - 6) AIR CYLINDER TENSIONER MAY BE BOLTED OR WELDED IN PLACE. MARTIN ENGINEERING RECOMMENDS BOLTING WHEN APPLICABLE FOR EASIER MAINTENANCE AND ACCESSIBILITY.
 - 7) REFER TO OPERATOR'S MANUAL M4043 FOR COMPLETE INSTALLATION INSTRUCTIONS.
 - 8) CLEANER CAN BE LOCATED ANYWHERE ALONG THE ARC, AS LONG AS THE MAINFRAME IS OUT OF MATERIAL TRAJECTORY AND THE BLADE TIPS ARE BELOW THE HORIZONTAL CENTERLINE OF THE HEAD PULLEY.
 - 9) THE HD QC1 PRE-CLEANER BLADES ARE DESIGNED TO REMOVE HEAVY CARRYBACK ONLY. DO NOT OVERTENSION.
 - 10) BLADE COVERAGE IS LESS THAN BELT WIDTH, DUE TO POSSIBLE MISTRACKING OR DAMAGED EDGES OF THE BELT.



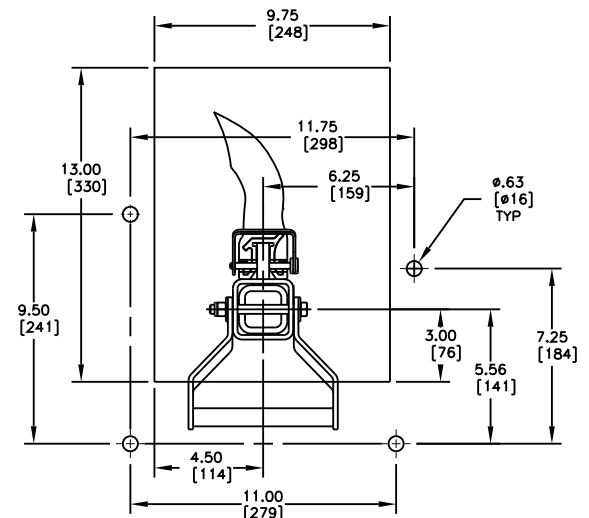
STSHDQC-361030A SHOWN
HEAD PULLEY NOT SHOWN FOR CLARITY



FARSIDE MOUNT DETAIL



TENSIONER FAR SIDE CHUTE WALL CUTOUT DETAIL



TENSIONER OPERATOR SIDE CHUTE WALL CUTOUT DETAIL

NO.	DESCRIPTION	ECN	DATE	BY	SALES DRAWING	DATE	SCALE
AutoCAD	REVISION				PR13077	11/12/15	1/4

© Copyright 2013 Martin Engineering. All rights reserved. Covered by U.S. and foreign patents pending and issued. ® and TM indicate trademarks of Martin Engineering.

MARTIN ENGINEERING-USA
NEPONSET, IL USA

TITLE: MARTIN® STS HD QC1™ ASM WITH AIR CYLINDER TENS

DRAWN RND: DATE 10/20/15
CHECKED: DATE 11/10/15
APPROVED: DATE 11/12/15
SCALE 1/4

