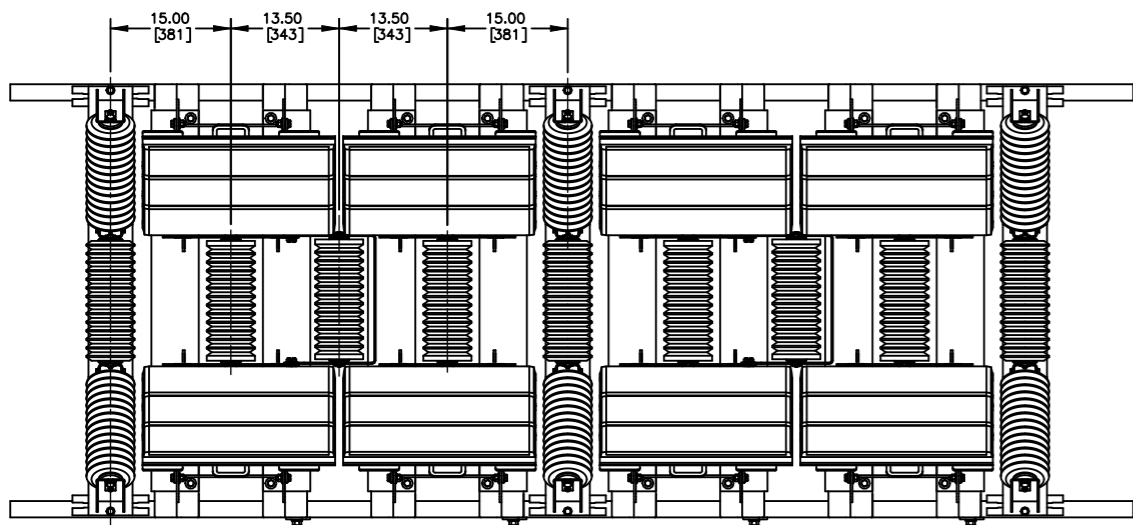
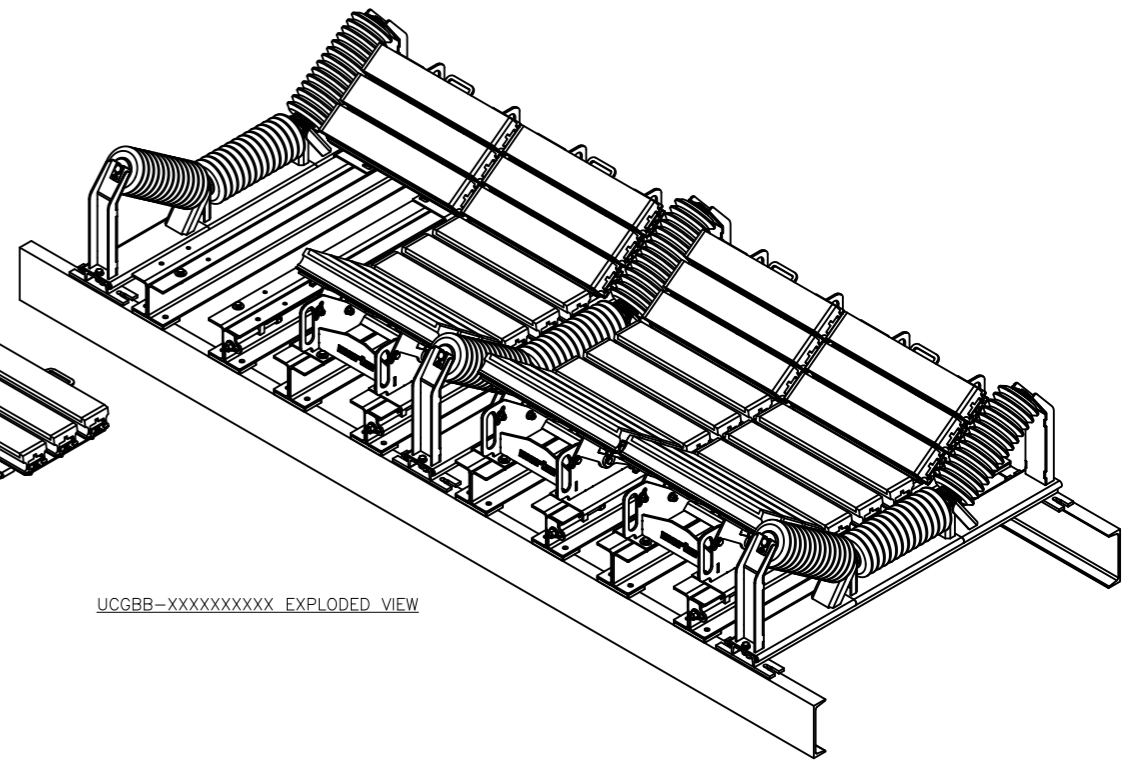
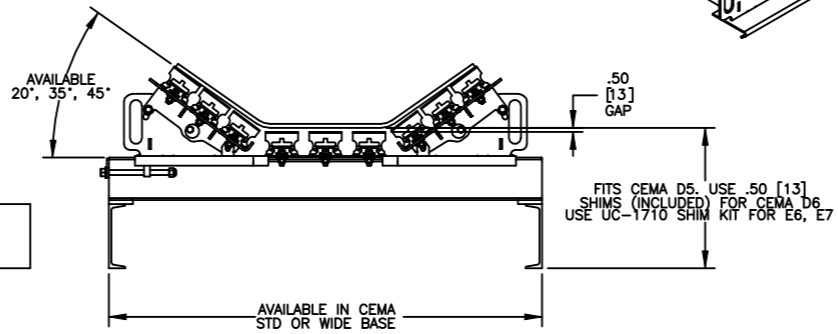
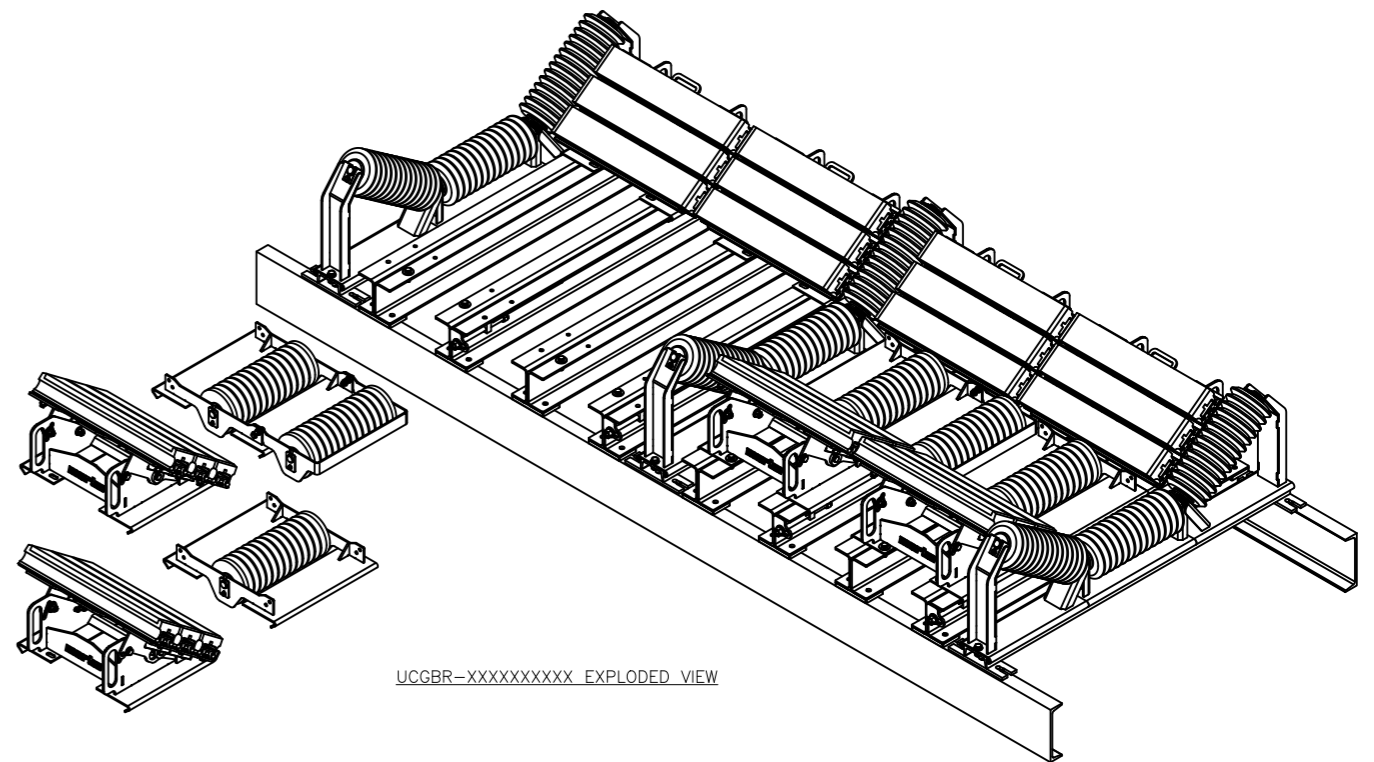
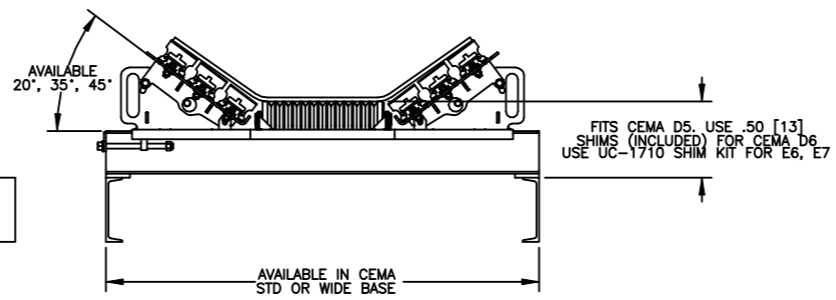


UCGBB-XXXXXXX LAYOUT



UCGBR-XXXXXXX LAYOUT



- NOTES:
- 1) ALL DIMENSIONS ARE GIVEN IN INCHES [MM].
 - 2) ALL DIMENSIONS ARE FOR REFERENCE ONLY.
 - 3) MARTIN ENGINEERING RECOMMENDS THAT TRAC-MOUNTED IMPACT IDLERS BE POSITIONED 1.00 [25] BEFORE AND AFTER IMPACT AND COMBINATION CRADLES.
 - 4) REFER TO CRADLE OPERATOR'S MANUAL FOR COMPLETE INSTALLATION AND MAINTENANCE INSTRUCTIONS.
 - 5) REFER TO MARTIN ENGINEERING DRAWINGS UCGBB-XXXXXXX AND UCGBR-XXXXXXX FOR COMPLETE DIMENSIONAL AND PART NUMBER INFORMATION ON CRADLES.

© Copyright 2013 Martin Engineering. All rights reserved. Covered by U.S. and foreign patents pending and issued. ® and ™ indicate trademarks of Martin Engineering.

MARTIN ENGINEERING-USA
NEPINET, IL USA

TITLE	UCGBR & UCGBB IMPACT AND COMBINATION CRADLE	DRAWN JAP	DATE 04/08/13
		CHECKED	
		ENG. JAR	DATE 04/10/13
		APPROVED J.M.	DATE 04/11/13
SALES DRAWING			
NO. MDO852	DESCRIPTION REVISION	ECN	DATE BY
			SCALE 1:12