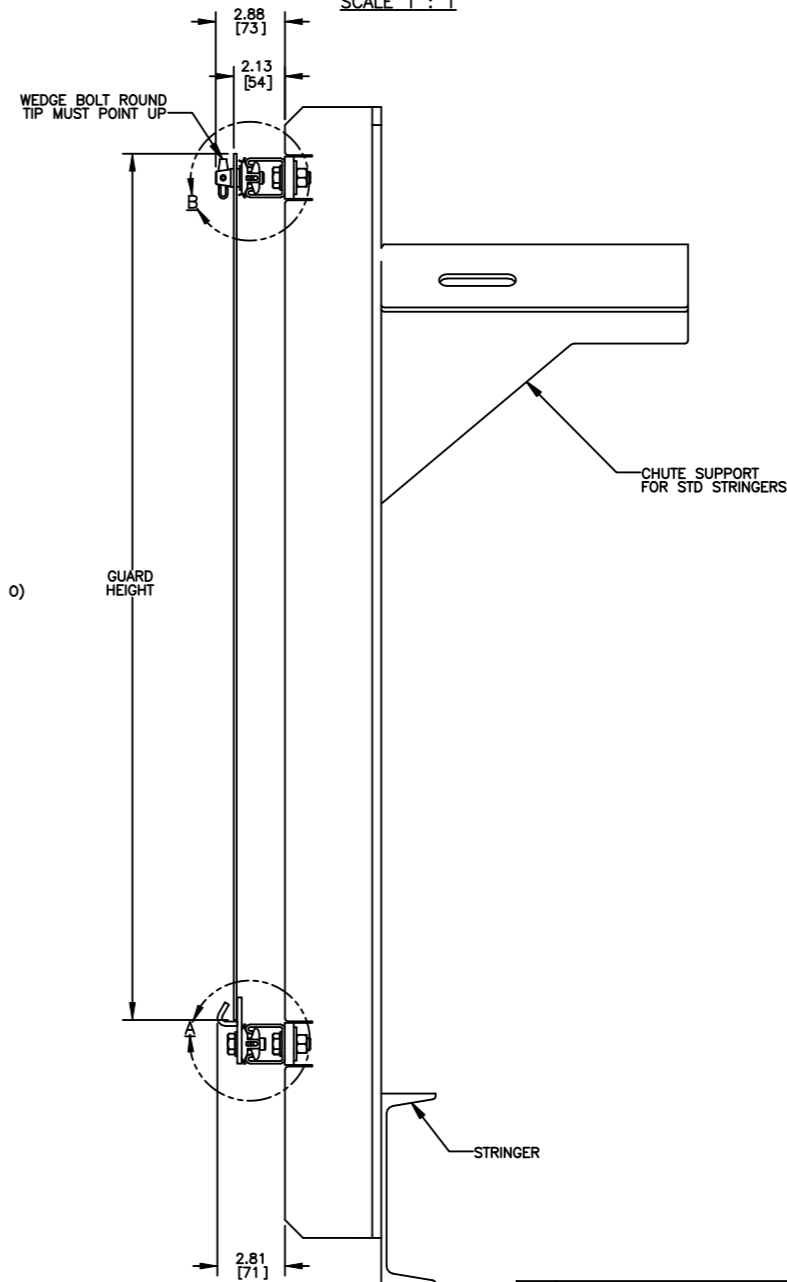
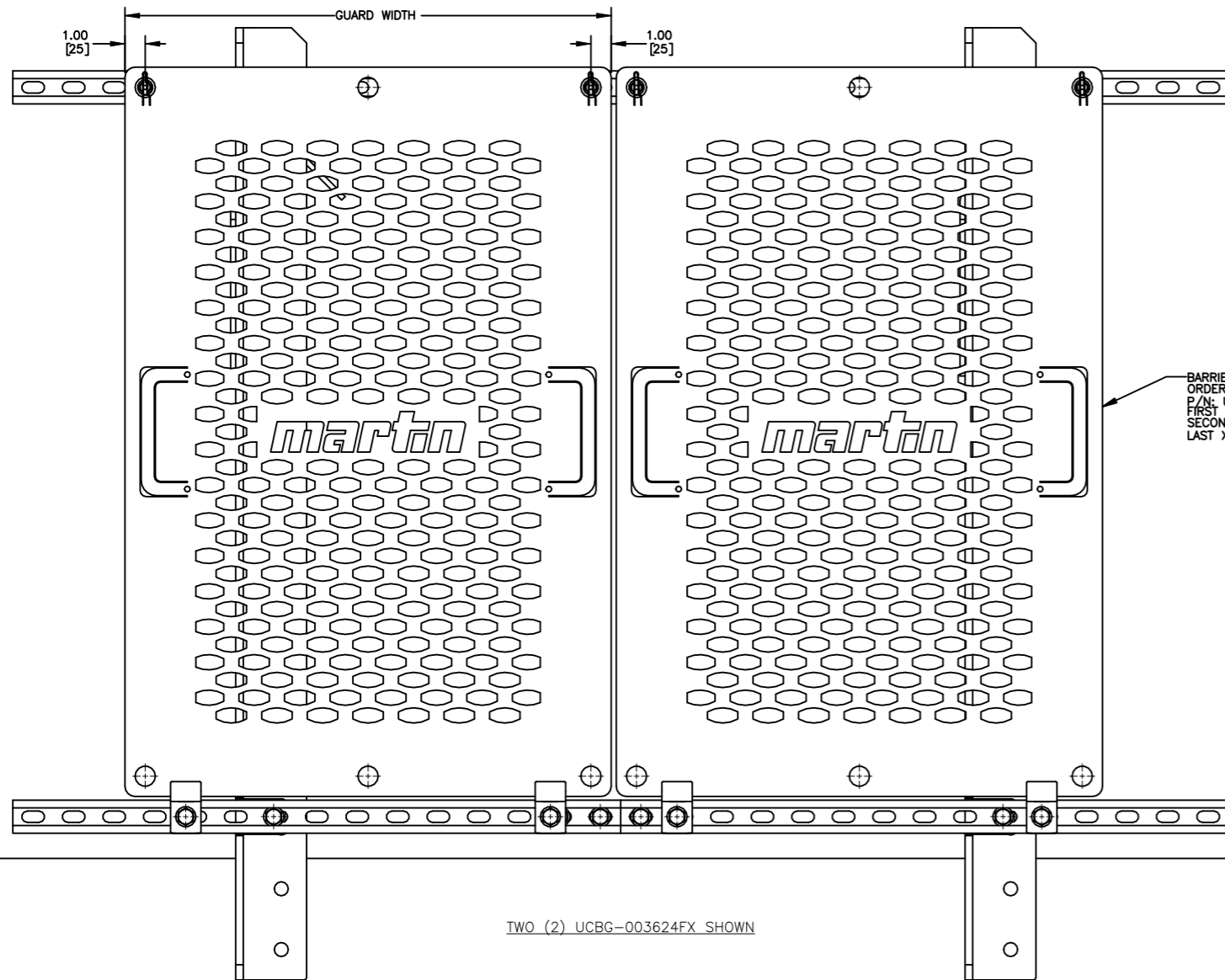
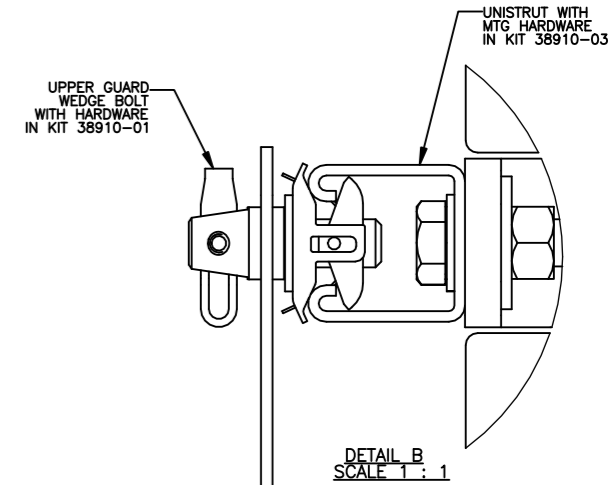
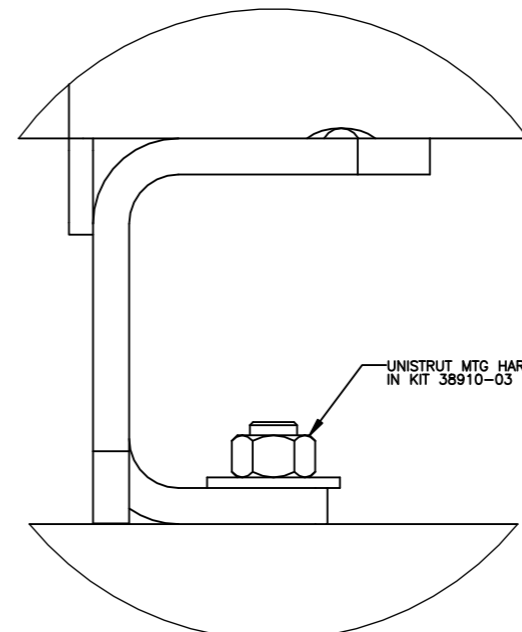
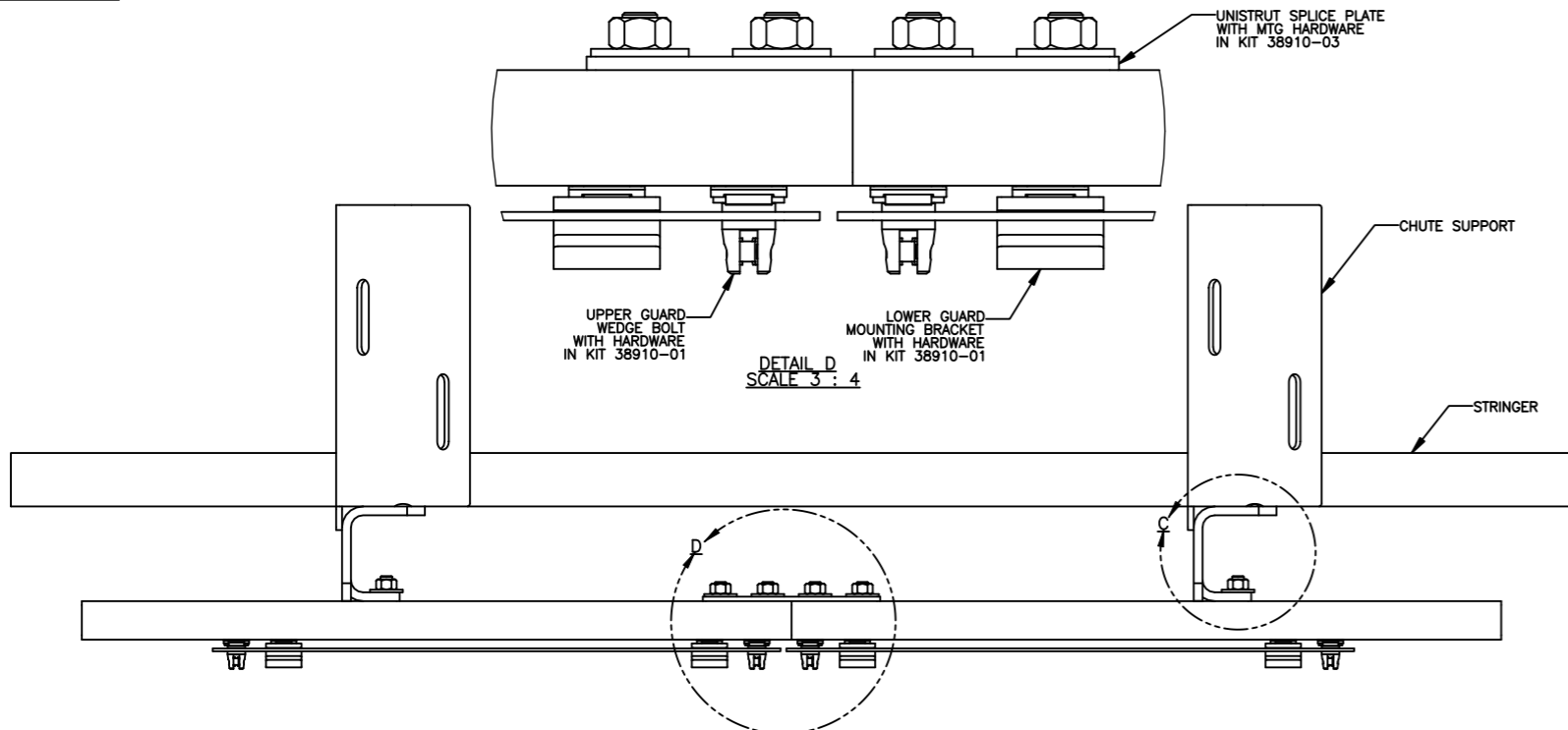


ITEM	QTY	DESCRIPTION	PART NUMBER
1	S/N	BARRIER GUARD UNISTRUT MTG HARDWARE	38910-01
2	S/N	BARRIER GUARD UNISTRUT AND HARDWARE	38910-03

S/N = SEE NOTE 4



- NOTES:
- 1) ALL DIMENSIONS ARE GIVEN IN INCHES [MM].
  - 2) ALL DIMENSIONS ARE FOR REFERENCE ONLY.
  - 3) INTEGRATED HANDLES ARE FIELD MODIFYABLE TO BE BENT UP INTO WORKING POSITION.
  - 4) ONE (1) P/N 38910-01 REQUIRED FOR EVERY BARRIER GUARD. ONE (1) P/N 38910-03 REQUIRED FOR EVERY 10 FEET OF GUARDING REQUIRED.

© Copyright 2011 Martin Engineering. All rights reserved. Covered by U.S. and foreign patents pending and issued. ® and ™ indicate trademarks of Martin Engineering.

**MARTIN ENGINEERING**

USA BUSINESS UNIT

TITLE	BARRIER GUARD UNISTRUT INSTALLATION ON CHUTE SUPPORTS	DRAWN RND	DATE 09/09/11
ENG.		CHECKED	
APPROVED		DATE 09/15/11	
SALES DRAWING		DATE 09/16/11	

NO.	DESCRIPTION	ECN	DATE	BY
SOLIDWORKS	REVISION			

PR12125 S50080-E SCALE 1:4