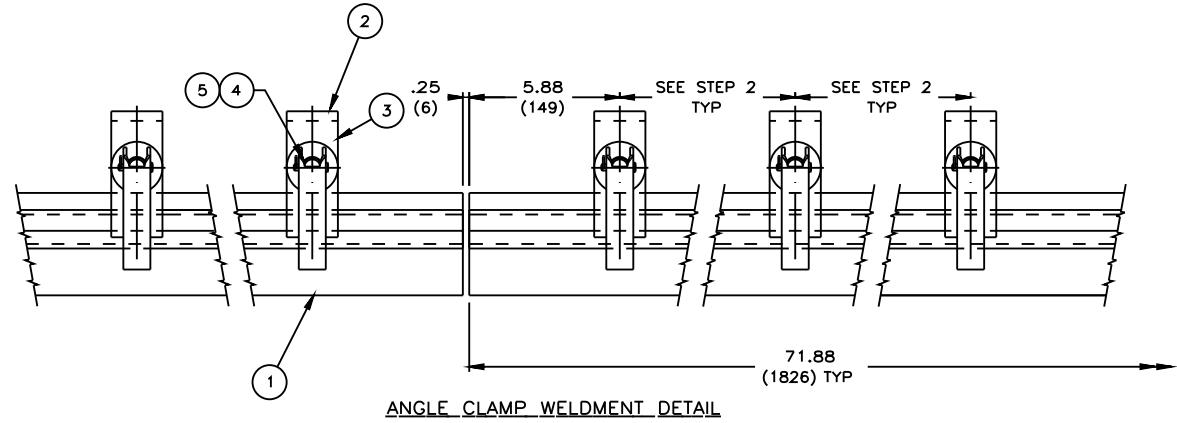


ITEM	QTY.	DESCRIPTION	PART NUMBER
1	***	APRON SEAL™ 1-PIECE	100724
2	*	ANGLE CLAMP WELDMENT	32600
3	**	QUICK RELEASE CLAMP ASSEMBLY	36273
4	**	ROD THREADED 1/2-13NC X 3	31189
5	**	NUT HEX 1/2-13NC PLAIN	34134

SEE NOTE 20

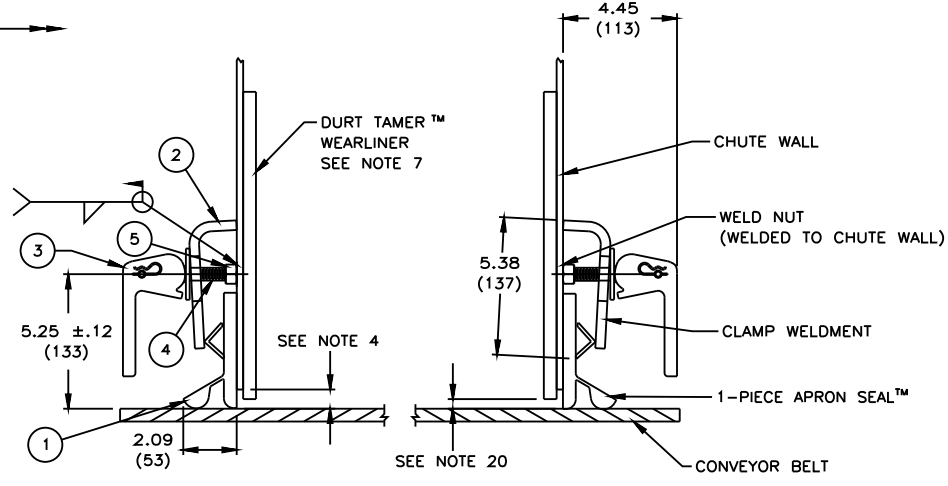
\* - EACH WELDMENT IS 71.88 (1826) LONG. ONE WELDMENT IS REQUIRED PER EVERY 6' (1829) OF APRON SEAL™ (P/N 100724)  
 \*\* - USE ONE PER EACH FOOT OF APRON SEAL™  
 \*\*\* - CUT TO LENGTH.



ANGLE CLAMP WELDMENT DETAIL

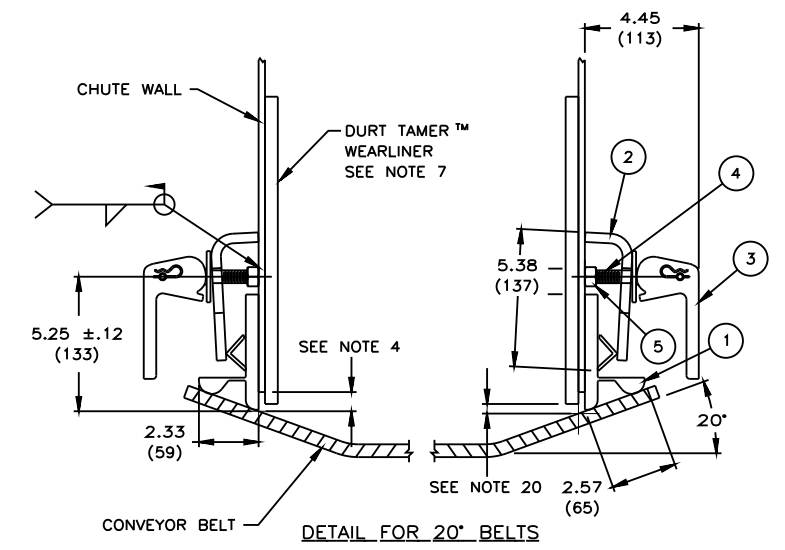
**INSTALLATION INSTRUCTIONS**

- STEP 1: SCRIBE A LINE ON CHUTE WALL PARALLEL TO BELT SURFACE 5.25 (133) ABOVE BELT.
- STEP 2: ALONG THIS LINE, MAKE FIRST MARK 5.88 (149) FROM END OF CHUTE WALL AND MARK EVERY 12.00 (305) AFTER THAT.
- STEP 3: ON THESE MARKED CENTERS, WELD 1/2-13NC x 3 THREADED RODS. WHEN WELDING RODS, MAKE SURE THAT THEY ARE WELDED PERPENDICULAR TO THE CHUTE WALL TO ENSURE EVEN CLAMP CONTACT.
- STEP 4: INSTALL 1-PIECE APRON SEAL™ AND PLACE AGAINST CHUTE WALL. MAKING SURE THAT SKIRTING IS ALSO TOUCHING THE BELT. SLIDE CLAMPS OVER RODS.
- STEP 5: PUSH ANGLE CLAMP WELDMENT TIGHT AGAINST SKIRTING AND INSTALL QUICK RELEASE CLAMP.



DETAIL FOR FLAT BELTS

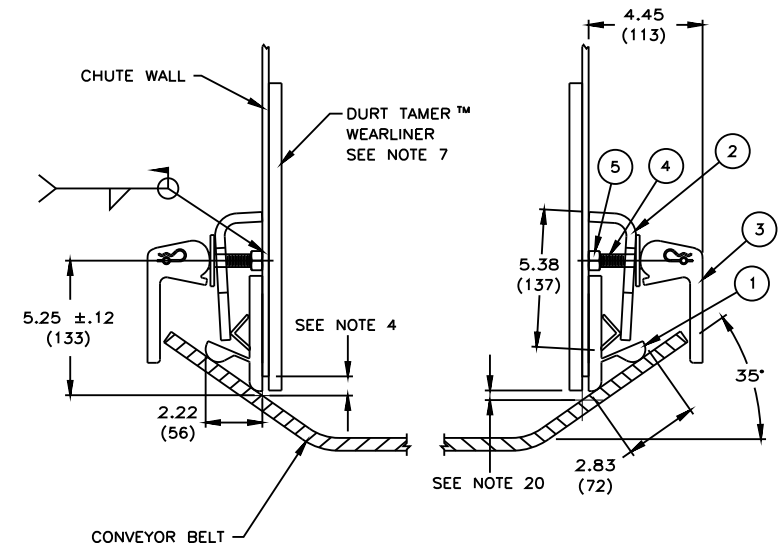
(ALL DIMENSIONS TYPICAL EACH SIDE OF CONVEYOR)



DETAIL FOR 20° BELTS

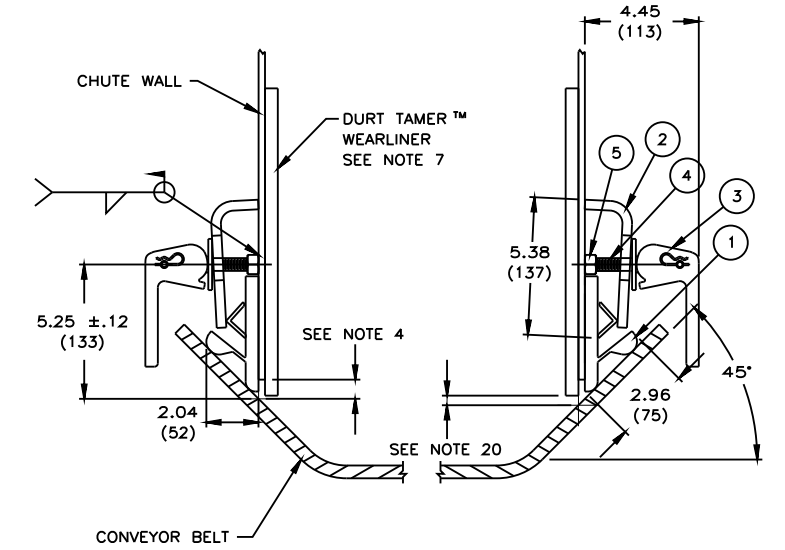
(ALL DIMENSIONS TYPICAL EACH SIDE OF CONVEYOR)

- NOTE:
- 1) ALL DIMENSIONS ARE GIVEN IN INCHES (MM).
  - 2) UNLESS OTHERWISE SPECIFIED ALL INCH DIMENSIONS ARE FOR REFERENCE PURPOSES ONLY.
  - 3) (MM) ARE SHOWN FOR REFERENCE PURPOSES ONLY. ACTUAL (MM) VALUES AND TOLERANCES SHOULD BE DERIVED FROM INCH VALUES GIVEN.
  - 4) MARTIN ENGINEERING RECOMMENDS CHUTE WALL TO BE WITHIN .75 (19) OF BELT.
  - 5) APRON SEAL™ CAN BE ADJUSTED INDIVIDUALLY PER CLAMP TO MEET VARIATIONS IN BELT PROFILE.
  - 6) A MIN OF 8.00 (203) VERTICAL AND 4.00 (102) HORIZONTAL CLEARANCE REQUIRED TO INSTALL APRON SEAL™ & CLAMPS.
  - 7) TO PROVIDE AN EFFECTIVE SEAL, DURT TAMER™ WEARLINERS ARE RECOMMENDED TO PREVENT THE MAIN LOAD FROM CONTACTING THE APRON SEAL™.
  - 8) IF DURT TAMER™ WEARLINERS ARE BOLTED TO CHUTE WALL, APRON SEAL™ & CLAMPS ARE TO MOUNTED IN A MANNER AS TO ALLOW EASY ACCESS TO BOLTS.
  - 9) 1-PIECE APRON SEAL™ IS DESIGNED AS A DUST SEAL ONLY. IT IS NOT TO BE USED AS A MATERIAL HOLDBACK OR LOAD CARRYING SURFACE.
  - 10) BELT MUST NOT LIFT OFF IDLERS DURING START-UP OR WHILE BELT IS IN OPERATION.
  - 11) BELT MUST TRACK PROPERLY TO PREVENT IT FROM RUNNING BEHIND APRON SEAL™.
  - 12) APRON SEAL™ IS DESIGNED TO SEAT IN QUICKLY REGARDLESS OF TROUGH ANGLE.
  - 13) APRON SEAL™ IS PLIABLE ENOUGH TO STRETCH OR BEND AROUND DURT TAMER™ WEARLINER BOLTS. APRON SEAL™ CAN ALSO BE NOTCHED OUT AROUND BOLTS IF NECESSARY.
  - 14) CONSULT MARTIN ENGINEERING FOR INSTALLATIONS WITH UNUSUAL OR SEVERE CONDITIONS, IE: CONCAVE/CONVEX CURVES, EXTREME SIDE PRESSURE, UNUSUALLY FAST OR SLOW MOVING BELTS, TEMPERATURE EXTREMES, ETC.
  - 15) APRON SEAL™ AND DURT TAMER™ WEARLINER SHOULD BEGIN AT LEAST 12.00 (305) BEFORE INLET SIDE OF CHUTE WALL.
  - 16) CONTACT MARTIN ENGINEERING PRIOR TO MOUNTING THESE PRODUCTS IN ANY WAY OTHER THAN WHAT IS DEPICTED ON THIS DRAWING OR IN OPERATOR'S MANUAL.
  - 17) ANGLE CLAMP WELDMENT (P/N 32600) IS TO BE FULLY TIGHTENED AGAINST CHUTE WALL.
  - 18) ANGLE CLAMP WELDMENT MUST HAVE FIRM BACKING TO ENSURE PROPER CLAMP FORCE.
  - 19) .38 (10) MAX IN IMPACT AREA, TAPERING TO .75 (19) AT EXIT AREA.
  - 20) QUICK RELEASE CLAMP (P/N 36273) HANDLE CAN BE LOCKED INTO ANY ORIENTATION.



DETAIL FOR 35° BELTS

(ALL DIMENSIONS TYPICAL EACH SIDE OF CONVEYOR)



DETAIL FOR 45° BELTS

(ALL DIMENSIONS TYPICAL EACH SIDE OF CONVEYOR)

© Copyright 2002 Martin Engineering. All rights reserved. Covered by U.S. and foreign patents pending and issued. ® and ™ indicate trademarks of Martin Engineering.

**MARTIN ENGINEERING** NEPONSET ILLINOIS USA

TITLE	INSTALLATION DRAWING FOR LOW PROFILE ANGLE CLAMP W/1-PIECE APRON SEAL™ & QUICK RELEASE CLAMP	DRAWN MJB DATE 08/20/02
NO.	REVISION	CHECKED
SALES DRAWING	PRO9075	APPROVED JRB DATE 08/20/02
S37456	L:\SAL\S37456	SCALE 1/4=1

NO.	DESCRIPTION	ECN	DATE	BY

