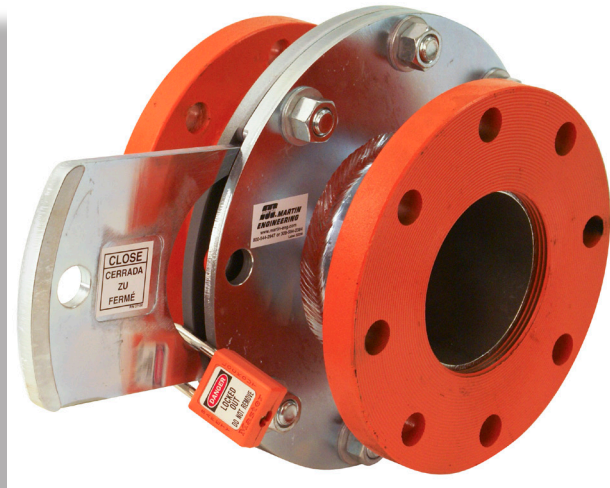


Martin® Thermo Safety Shield



P/N 38189-4F shown with optional flanges and lock.

BENEFITS

- Allows air cannon system to receive safe and timely maintenance.
- Protects employees from severe temperatures.
- Encourages lock out/tag out.
- Simple to install and operate.
- Fits any make of air cannon.

Air Cannons are necessary equipment for high-temperature operations such as lime kilns, cement plant preheater towers, and clinker coolers.

The [Martin® Thermo Safety Shield](#) acts as a safety barrier to allow timely and safe maintenance of air cannon systems.

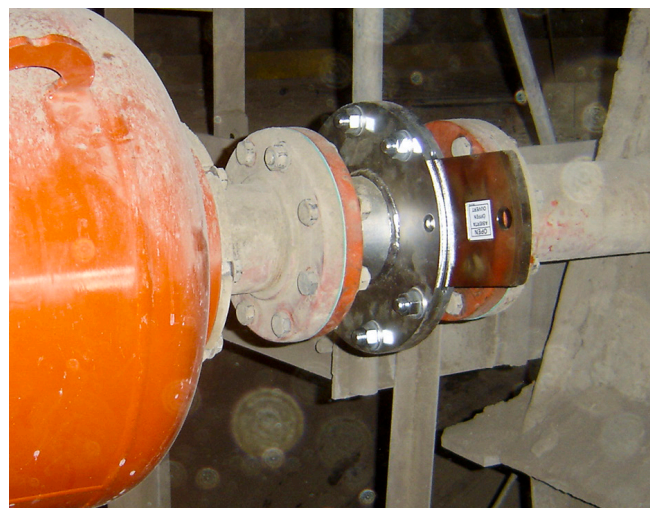
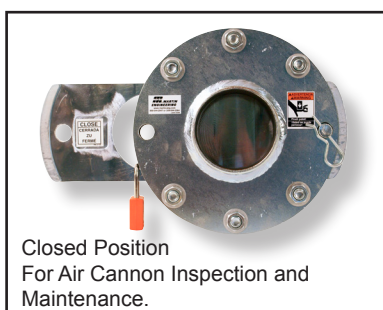
It protects employees from exposure to severe temperatures so that maintenance can take place safely and productions stays on schedule.

ABC's of Efficiency for High-Temperature Processes

- A.** Production **MUST** Go On.
- B.** Air Cannon **MUST** Work or Personnel Must Fix.
- C.** Personnel **MUST** be Protected When Performing Maintenance.

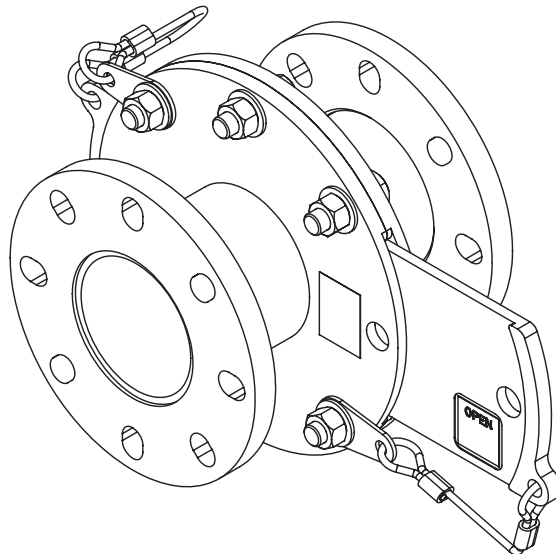
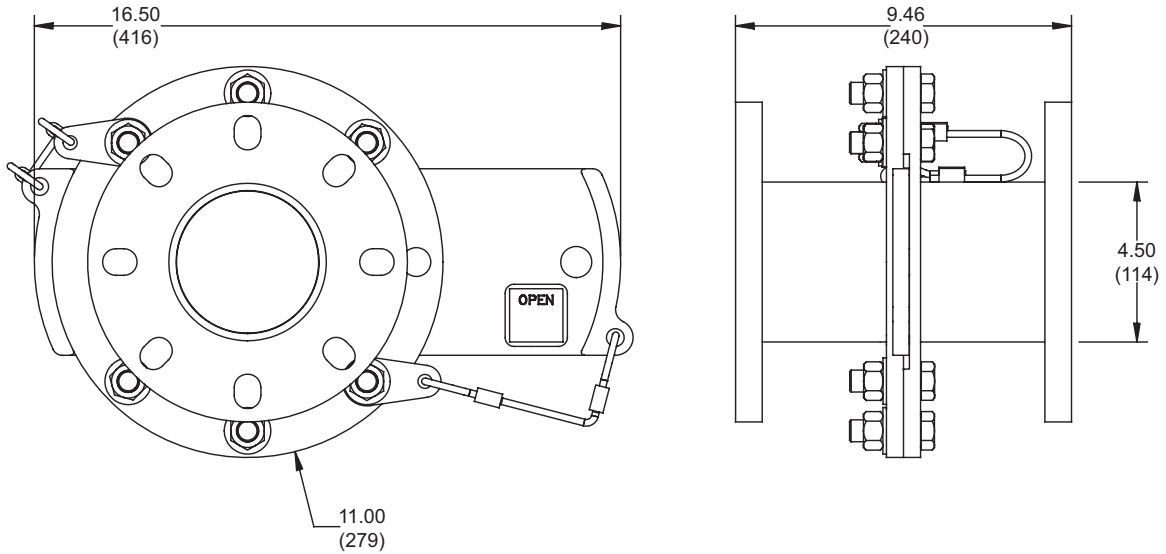
Therefore:

Martin® Thermo Safety Shield
MUST be installed.



TECHNICAL DATA SHEET

DIMENSIONS



PART NUMBER 38189-4F



Martin Engineering USA
One Martin Place
Neponset, IL 61345-9766 USA
800 544 2947 or 309 852 2384
Fax 800 814 1553
www.martin-eng.com

**COMPANY WITH
QUALITY SYSTEM
CERTIFIED BY DNV
= ISO 9001:2008 =**

Problem Solved™ GUARANTEED!

Form No. L3622-01/19
© Martin Engineering Company 2002, 2019