

Martin® High Temperature Cleaner



All-steel construction allows the [Martin® High Temperature Cleaner](#) to withstand high service temperatures. Overlapping blades on coil spring arms provide effective cleaning.

SPECIFICATIONS

Belt Width in. (mm)	Maximum Belt Speed fpm (m/sec)	Max. Service Temperature	Mounting Distance in. (mm)	Blade Material	Recommended Tensioner
18-96 (400-2400)	750 (3.8)	600°F (315°C)	4.125 (114)	Stainless Steel	Martin® Twist Tensioner (P/N 38850)
		400°F (204°C)		Tungsten Carbide	

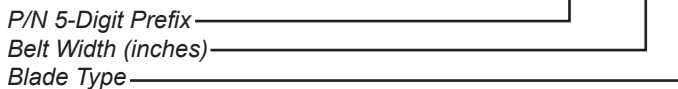
ORDER INFORMATION

	Part Number
Martin® High Temperature Cleaner	21042-XXX
Replacement Blades:	
Tungsten Carbide Replacement Blade	27924
Stainless Steel Replacement Blade	16960

Cleaner Assemblies include mainframe and blades only; Mounts and Tensioners must be ordered separately.

NOMENCLATURE

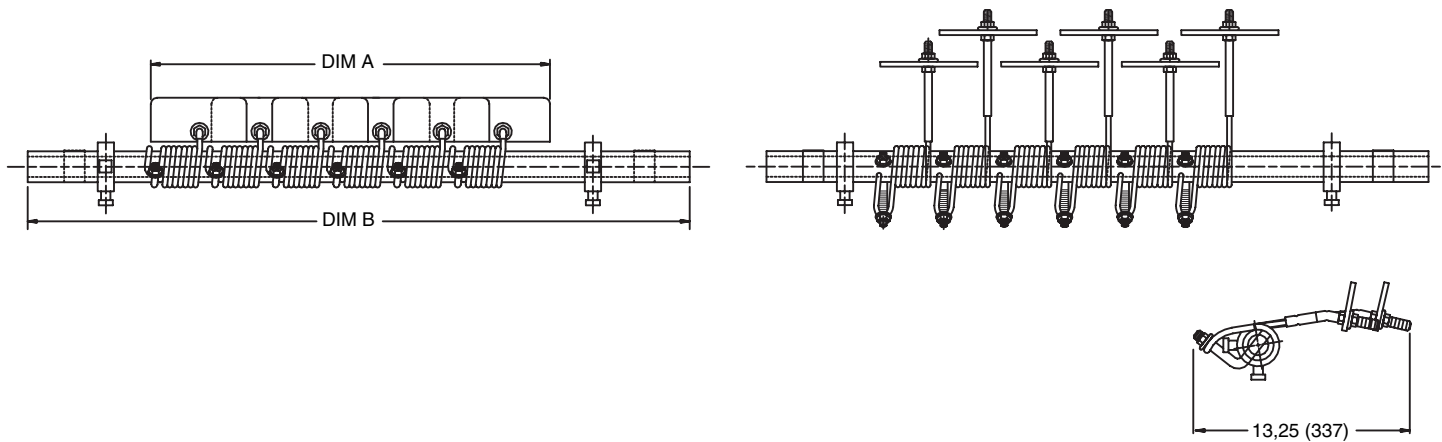
21042-XXX



BLADE TYPE

- S: Stainless Steel
- T: Tungsten Carbide

TECHNICAL DATA SHEET



TECHNICAL DATA

Belt Width* in. (mm)	No. of Blades	Belt Coverage in. (mm) "A"	Frame Length** in. (mm) "B"	Shipping Weight lb (kg)
18 (400-500)	3	14.5 (368)	54 (4356)	55 (24.9)
24 (500-650)	4	18.5 (470)	60 (1524)	60 (27.2)
30 (650-800)	6	26.5 (673)	68 (1727)	75 (34.0)
36 (800-1000)	7	30.5 (775)	68 (1721)	78 (35.4)
42 (1000-1200)	9	38.5 (978)	82 (2083)	85 (38.6)
48 (1200-1400)	10	42.5 (1080)	82 (2083)	88 (39.9)
54 (1400-1600)	12	50.5 (1283)	89 (2261)	100 (45.4)
60 (1600-1800)	13	54.5 (1384)	96 (2438)	105 (47.6)
72 (1800-2000)	16	66.5 (1685)	110 (2794)	130 (59.0)
84 (2000-2200)	19	78.5 (1994)	120 (3048)	145 (65.8)
96 (2200-2400)	22	90.5 (2299)	132 (3353)	165 (74.8)

* Metric belt widths are standard industry belting sizes rather than conversions.

** Extra-long mainframes are available. See your Martin Engineering representative for assistance in specifying nonstandard products.



Martin Engineering USA
 One Martin Place
 Neponset, IL 61345-9766 USA
 800 544 2947 or 309 852 2384
 Fax 800 814 1553
www.martin-eng.com

**COMPANY WITH
 QUALITY SYSTEM
 CERTIFIED BY DNV
 = ISO 9001:2008 =**

Problem Solved™ GUARANTEED!

Form No. L3370-12-08/12
 © Martin Engineering Company 1997, 2012