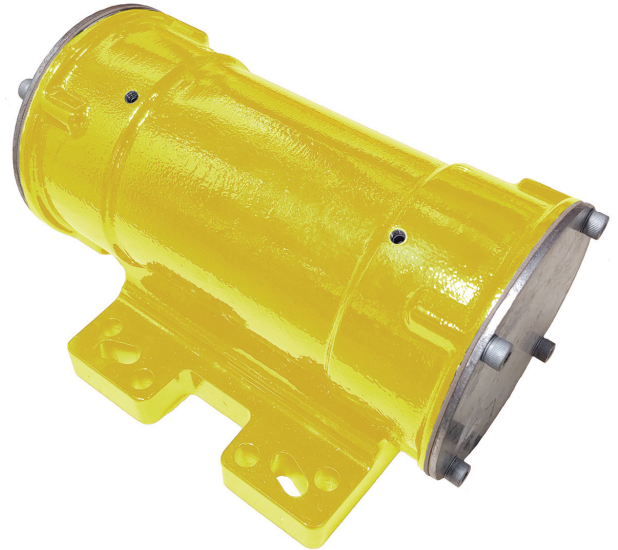
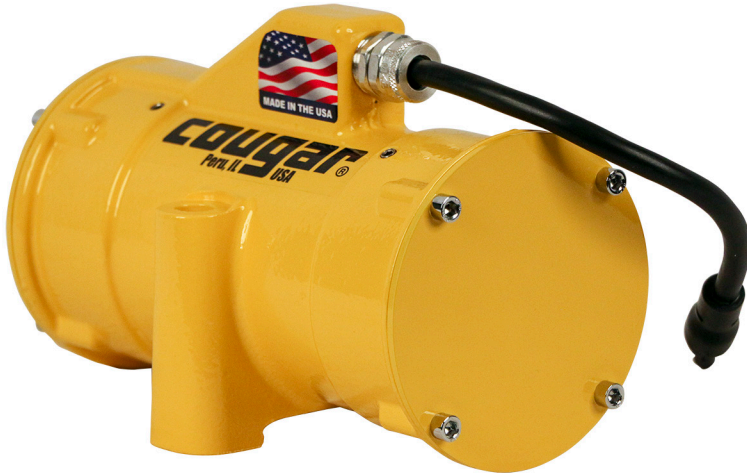


Cougar® DC Truck Vibrator - MDCV400/700 & MDC400/700



Cougar® DC Truck Vibrators solve problems in the unloading of material from mobile equipment. Powered by either 12 or 24-volt DC, the Cougar® Models MDCV12-400/700 and MDC12-400/700 provides effective vibration to improve material movement. These heavy-duty vibrators are suitable for applications such as concrete pumps, fertilizer, gravel, sand and salt-spreaders, dump trucks and other mobile equipment where sticky or compacted material causes hang-ups and slow unloading.

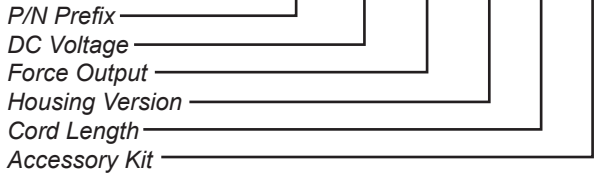
BENEFITS

- **Dust-Tight/Water-Tight**
O-ring seals and machined surfaces provide protection against the entry of water and dust for an IP 66 rating.
- **High Efficiency**
New high efficiency motor design requires less current to operate putting less stress on your electrical system and allowing vibrator to run cooler.
- **Low Maintenance**
Sealed bearings eliminate lubrication requirements and keep contaminants out.
- **Force Output Options**
Available in either 400 or 700 lbs force options.
- **Mounting Options**
Two different models offer a total of five different mounting patterns.
- **Terminal Box Filled with Silicon Rubber**
For added protection against moisture and other contaminants.
- **New Oversized Permanent Magnet Design**
Reduces operating current.
- **Smooth External Surfaces**
Eliminates material buildup.
- **Dependable Performance**
Covered by Martin Engineering's 2-Year Warranty.

TECHNICAL DATA SHEET

NOMENCLATURE

MDC XX XXX XX XX XX



DC VOLTAGE

12: 12 Volt
24: 24 Volt

FORCE OUTPUT

4AJ: Adjustable up to 400 Lbs
400: 400 Lbs
700: 700 Lbs

HOUSING VERSION

MM: Martin Housing

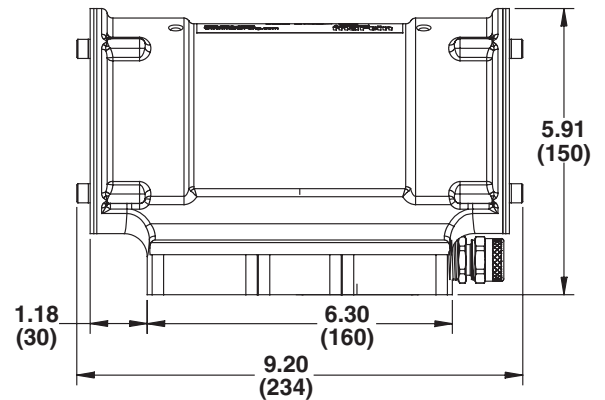
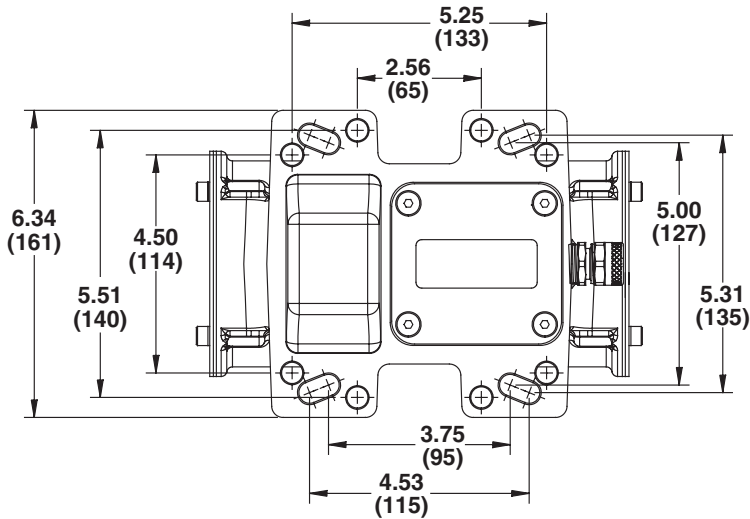
CORD LENGTH

10: 10"
52: 52"
96: 96"

ACCESSORY KIT

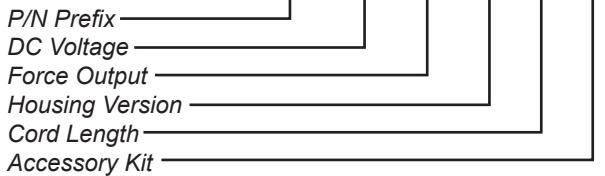
AO: No Accessory Kit
XX: Indicates Kit Number (01-10)

DIMENSIONS



NOMENCLATURE

MDCV XX XXX XX XX XX



DC VOLTAGE

12: 12 Volt
24: 24 Volt

FORCE OUTPUT

4AJ: Adjustable up to 400 Lbs
400: 400 Lbs
700: 700 Lbs

HOUSING VERSION

MM: Martin Housing

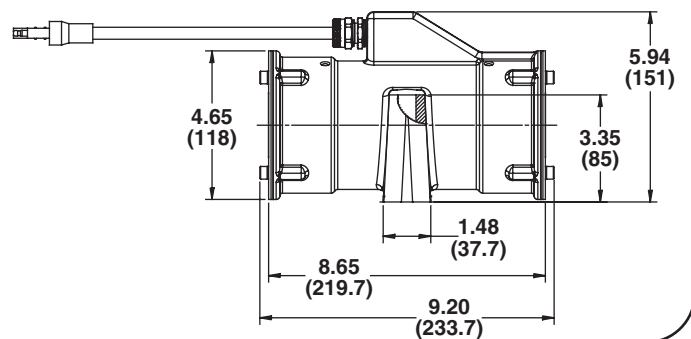
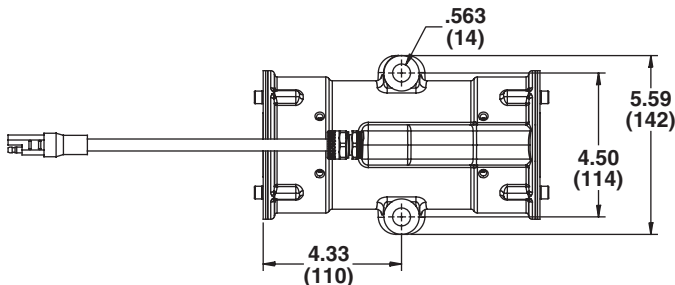
CORD LENGTH

10: 10"
52: 52"
96: 96"

ACCESSORY KIT

AO: No Accessory Kit
XX: Indicates Kit Number (01-10)

DIMENSIONS



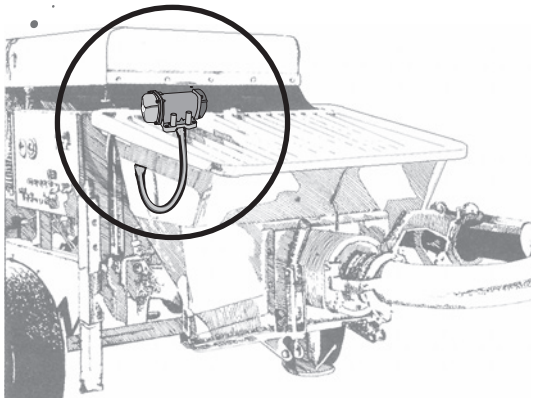
TECHNICAL DATA SHEET

PERFORMANCE DATA

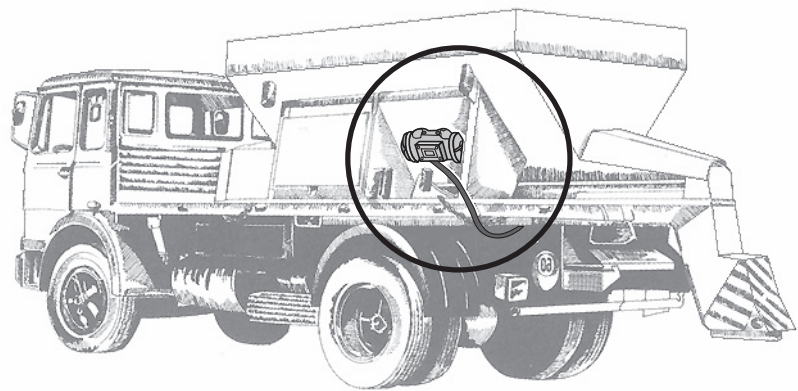
| Model | Volt | Force Output | | Weight | | Max. Amp Draw |
|---------------------|------|--------------|-----|--------|-----|---------------|
| | | lbs | kg | lbs | kg | |
| MDCV12-400-MM-XX-A0 | 12 | 400 | 181 | 7 | 3.2 | 13 |
| MDCV12-700-MM-XX-A0 | 12 | 700 | 318 | 7.5 | 3.4 | 16 |
| MDCV24-400-MM-XX-A0 | 24 | 400 | 181 | 7 | 3.2 | 6.5 |
| MDCV24-700-MM-XX-A0 | 24 | 700 | 318 | 7.5 | 3.4 | 8 |
| | | | | | | |
| MDC12-400-MM-10-A0 | 12 | 400 | 181 | 18 | 8 | 13 |
| MDC12-700-MM-10-A0 | 12 | 700 | 318 | 19 | 8.5 | 16 |
| MDC24-400-MM-10-A0 | 24 | 400 | 181 | 18 | 8 | 6.5 |
| MDC24-700-MM-10-A0 | 24 | 700 | 318 | 19 | 8.5 | 8 |

APPLICATIONS

Concrete Pumps



Spreader Trucks/Fertilizer Tenders



Martin Engineering USA
 One Martin Place
 Neponset, IL 61345-9766 USA
 800 544 2947 or 309 852 2384
 Fax 800 814 1553
www.martin-eng.com

**COMPANY WITH
 QUALITY SYSTEM
 CERTIFIED BY DNV GL
 = ISO 9001 =**

Problem Solved™ GUARANTEED!

Form No. L3318-09/20
 © Martin Engineering Company 1996, 2020