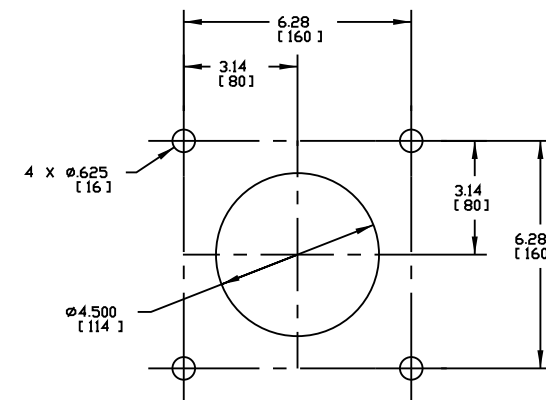
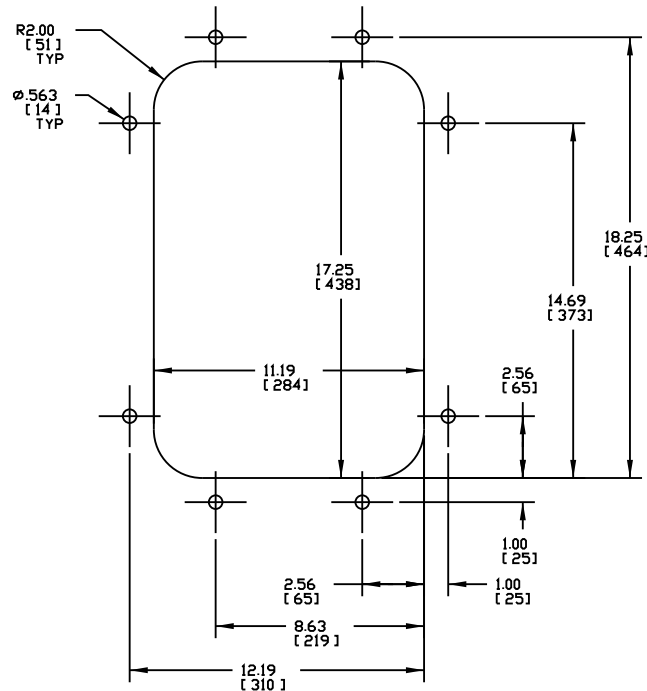


| PART NO. | BELT WIDTH | DIM "A" FRAME LENGTH | DIM "B" BLADE COVERAGE | QTY BLADES | AIR PRESSURE PSI [kPa] |
|-----------------|-------------------|----------------------|------------------------|------------|------------------------|
| QCIX-18MX12XXXX | 18.00 [400-500] | 66.00 [1676] | 12.04 [306] | 2 | 18 [124] |
| QCIX-24MX12XXXX | 24.00 [500-650] | 72.00 [1829] | 12.04 [306] | 2 | 18 [124] |
| QCIX-24MX18XXXX | 24.00 [500-650] | 72.00 [1829] | 18.06 [459] | 3 | 19 [131] |
| QCIX-30MX18XXXX | 30.00 [650-800] | 78.00 [1981] | 18.06 [459] | 3 | 19 [131] |
| QCIX-30MX24XXXX | 30.00 [650-800] | 78.00 [1981] | 24.08 [612] | 4 | 26 [179] |
| QCIX-36MX24XXXX | 36.00 [800-1000] | 84.00 [2134] | 24.08 [612] | 4 | 26 [179] |
| QCIX-36MX30XXXX | 36.00 [800-1000] | 84.00 [2134] | 30.10 [765] | 5 | 32 [221] |
| QCIX-42MX30XXXX | 42.00 [1000-1200] | 90.00 [2286] | 30.10 [765] | 5 | 32 [221] |
| QCIX-42MX36XXXX | 42.00 [1000-1200] | 90.00 [2286] | 36.12 [917] | 6 | 38 [262] |
| QCIX-48MX36XXXX | 48.00 [1200-1400] | 96.00 [2438] | 36.12 [917] | 6 | 38 [262] |

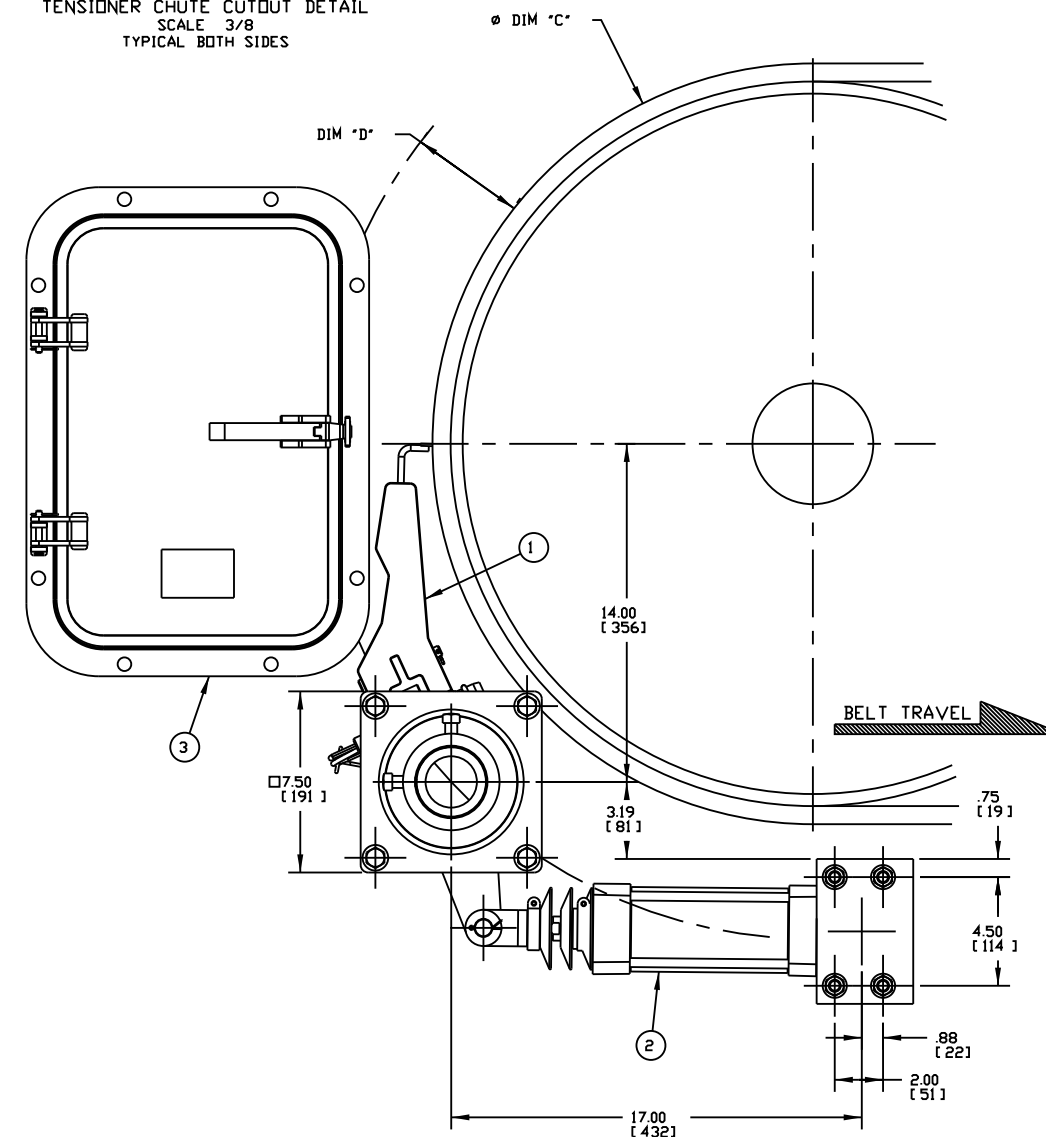
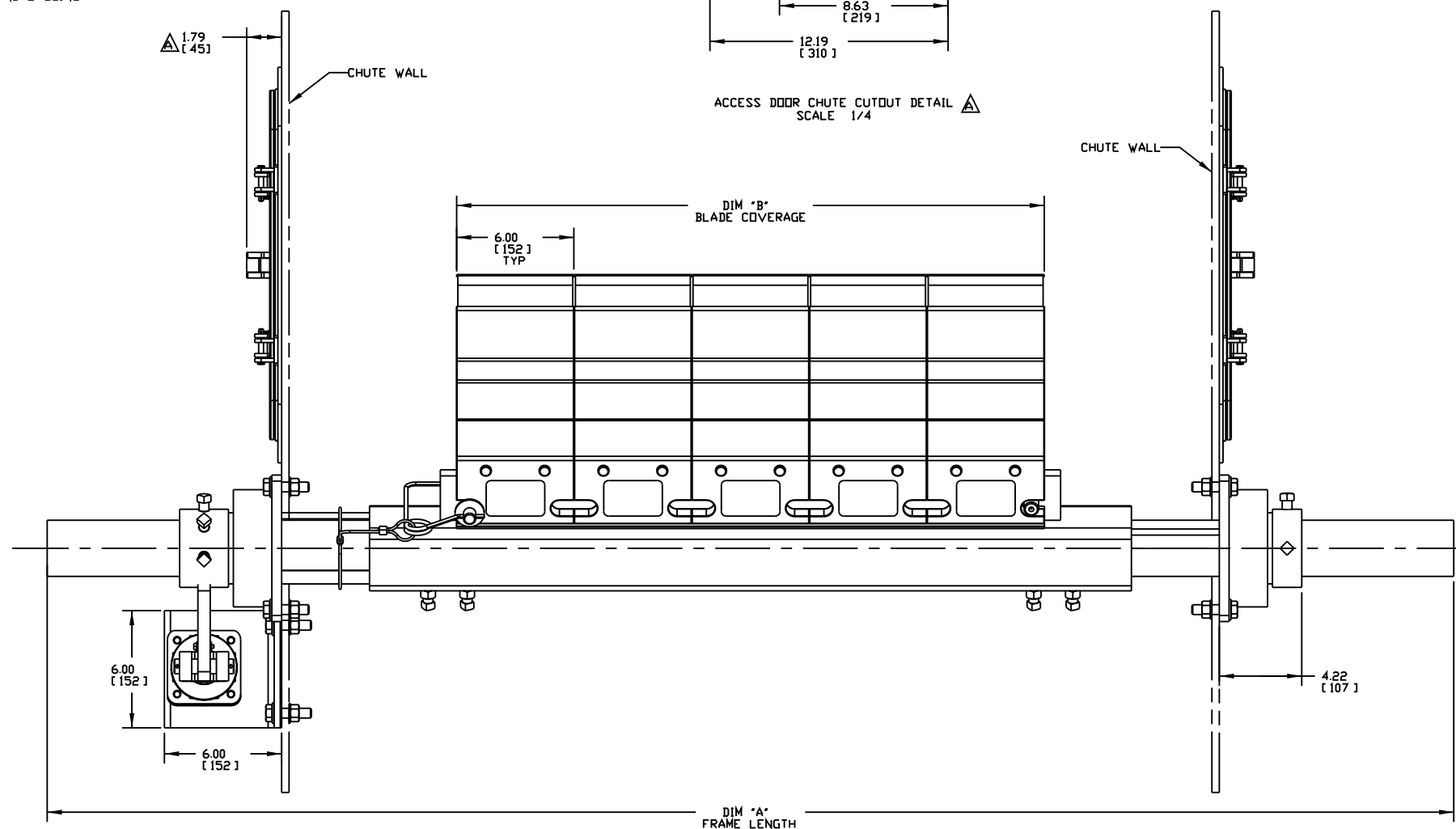
| ASSEMBLY PART NO. | COLOR |
|-------------------|--------|
| QCIX-XXMXXDRXX | ORANGE |

| MOUNTING LOCATION CHART | |
|--------------------------------|------------|
| DIM "C" HEAD PULLEY DIAMETER * | DIM "D" |
| 14 [356] | 8.25 [210] |
| 16 [406] | 7.50 [191] |
| 18 [457] | 7.00 [178] |
| 20 [508] | 6.50 [165] |
| 22 [559] | 6.25 [159] |
| 24 [610] | 5.75 [146] |
| 26 [660] | 5.50 [140] |
| 28 [711] | 5.00 [127] |
| 30 [762] | 4.75 [121] |
| 36 [914] | 4.00 [102] |
| 42 [1067] | 3.50 [89] |

* INCLUDES BELT AND LAGGING



TENSIONER CHUTE CUTOUT DETAIL
SCALE 3/8
TYPICAL BOTH SIDES



NOTES:

- ALL DIMENSIONS ARE GIVEN IN INCHES (MM).
- ALL DIMENSIONS ARE FOR REFERENCE ONLY.
- FOR EASY ACCESSIBILITY AND MAINTENANCE, MARTIN ENGINEERING RECOMMENDS BOLTING CLEANER TO EXISTING STRUCTURE WHEN APPLICABLE.
- CLEANER IS SHOWN IN RECOMMENDED WORKING POSITION.
- WHERE EXTREME OR UNUSUAL CONDITIONS EXIST, OR SPECIAL MAINFRAME LENGTHS ARE REQUIRED CONTACT MARTIN ENGINEERING.
- REFER TO OPERATOR'S MANUALS M3722, & M3512 FOR COMPLETE INSTALLATION INSTRUCTIONS.
- FOR BELT WIDTHS 48.00 (1200-1400) AND LARGER, MARTIN ENGINEERING RECOMMENDS USING A DUAL XHD AIR TENSIONER.
- THE XHD QC #1 MT PRE-CLEANER BLADES ARE DESIGNED TO REMOVE HEAVY CARRYBACK ONLY. DO NOT OVERTENSION.
- REFER TO CHART FOR AIR PRESSURE REQUIREMENTS FOR THE XHD AIR TENSIONER.
- BLADE COVERAGE IS LESS THAN BELT WIDTH, DUE TO POSSIBLE MISTRACKING OR DAMAGED EDGES OF THE BELT.

- 1) IN THE ASSEMBLY P/N THE QCIX INDICATES A QUICK CHANGE PRIMARY BLADE ASM.
 THE FIRST TWO XX'S INDICATE BELT WIDTH.
 THE "M" INDICATES METAL TIPPED BLADE.
 THE NEXT X INDICATES BLADE TYPE:
 0 = NO BLADES
 T = TUNGSTEN CARBIDE TIPPED BLADE
 C = CORROSION RESISTANT TC TIPPED BLADE
 THE NEXT TWO XX INDICATE BLADE COVERAGE.
 00 = NO BLADES
 THE NEXT TWO XX'S INDICATE BLADE COLOR:
 00 = NO BLADES
 OR = ORANGE
 THE NEXT X INDICATES MAINFRAME TYPE:
 P = STANDARD DUTY
 S = 316 STAINLESS STEEL
 THE LAST X INDICATES ACCESSORY OPTIONS:
 0 = NO OPTIONS
 S = SPRING TENSIONER

| ITEM | QTY. | DESCRIPTION | PART NUMBER |
|------|------|-----------------------------|----------------|
| 1 | 1 | XHD QC#1 MT ASSEMBLY | QCIX-XXMXXXXXX |
| 2 | 1 | XHD SINGLE AIR CYL TENS ASM | 32135 |
| 3 | 2 | LOW PROFILE CYA DOOR | CYA-1218XXXX |

Copyright 2010 Martin Engineering. All rights reserved. Covered by US and Foreign patents pending and issued. R and TM indicate trademarks of Martin Engineering.

M. MARTIN ENGINEERING
 NEPONSET ILLINOIS USA

| TITLE | NO. | DESCRIPTION | ECN | DATE | BY | SALES DRAWING |
|--|-----|---|-------|----------|-----|---------------|
| XHD QC #1 MT CLEANER W/XHD AIR TENSIONER & 12X18 ACCESS DOOR | A | CHGD P/N FROM QCIX-XXXXXX TO QCIX-XXMXXXXXX & 34995-1218XX TO CYA-1218XX IN THE 18M/CHGD DIM FROM 2.78 TO 1.75/UPDATED ACCESS DOOR DIMS | 12824 | 04/05/10 | MJB | NO |
| REVISION | | | | | | NO0715 |

| DATE | CHKD | DATE | APP'D |
|----------|------|----------|-------|
| 05/21/07 | | 05/25/07 | |
| | | 05/25/07 | |
| | | 05/25/07 | |

S50032-SA
 SCALE 1/4

