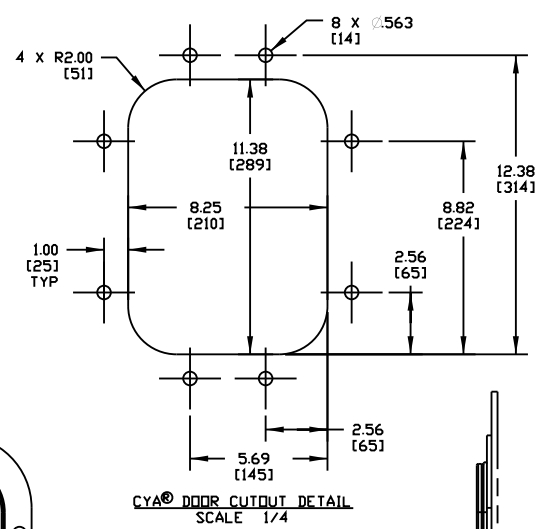


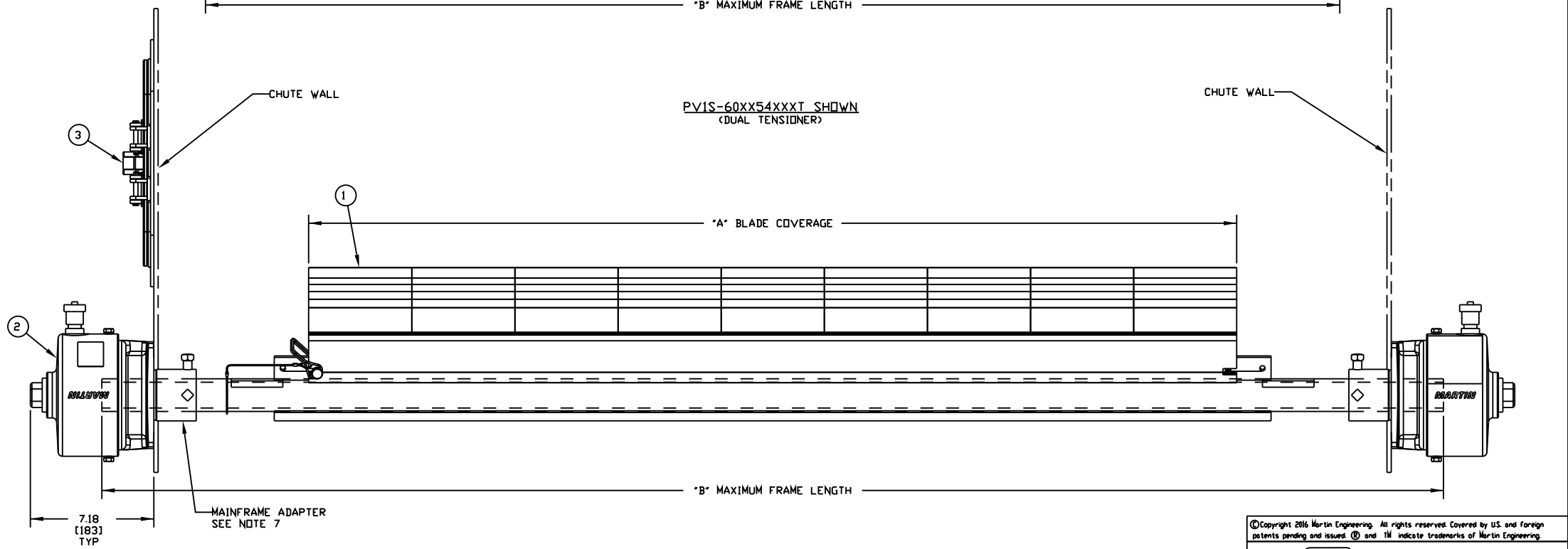
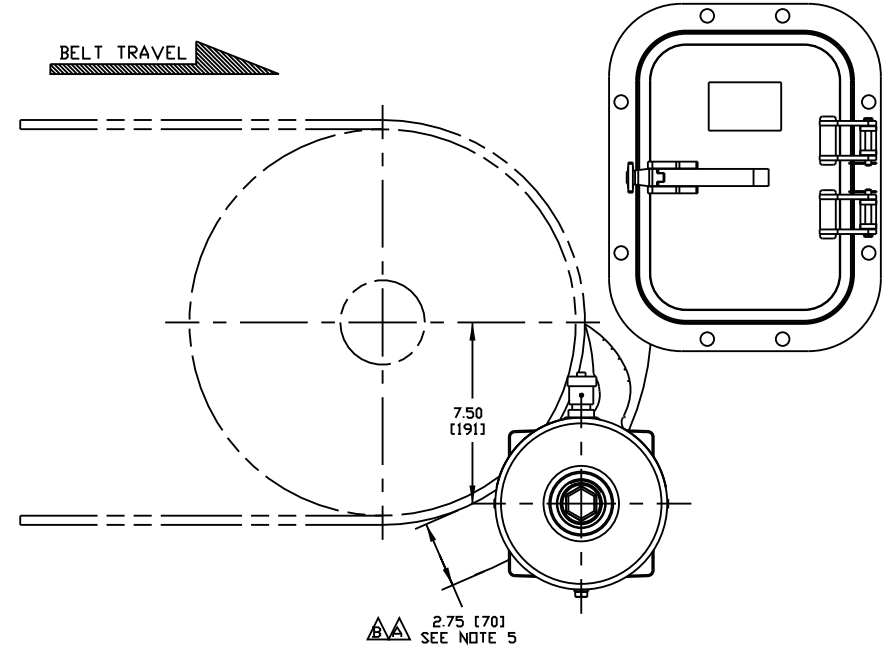
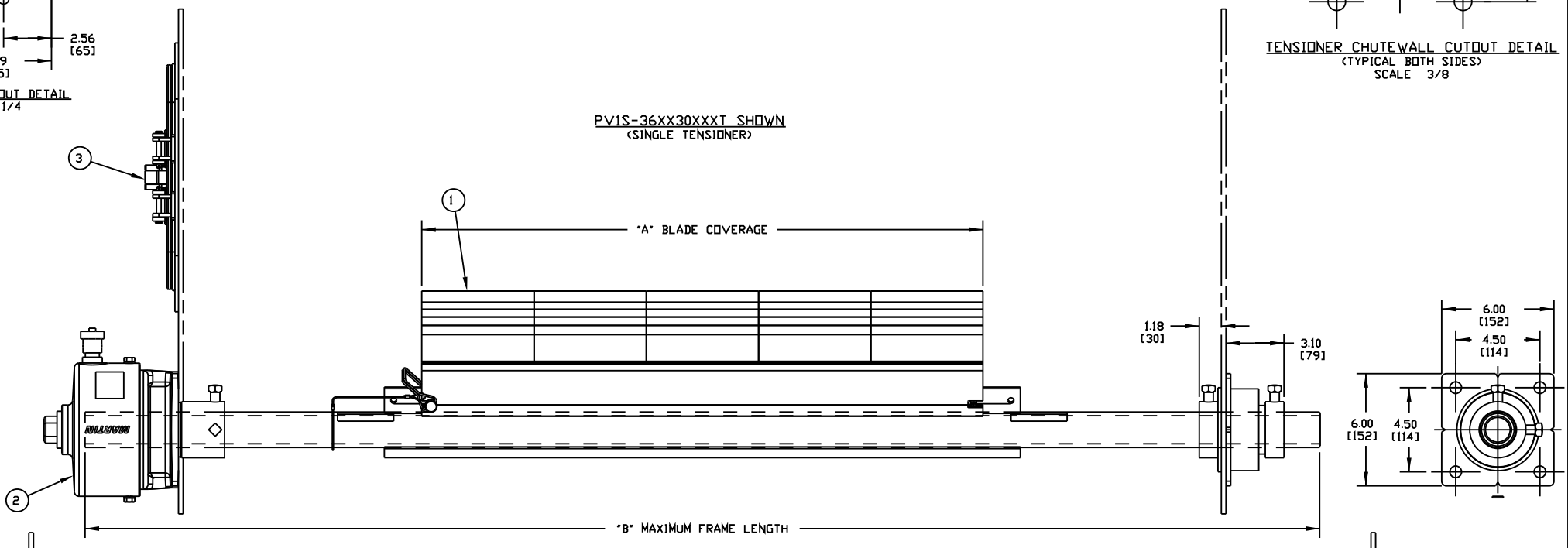
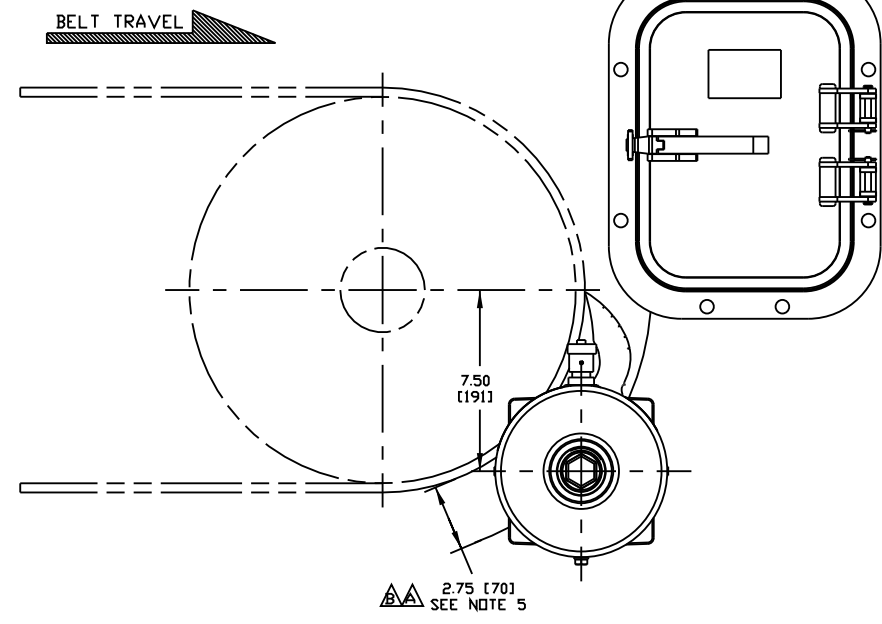
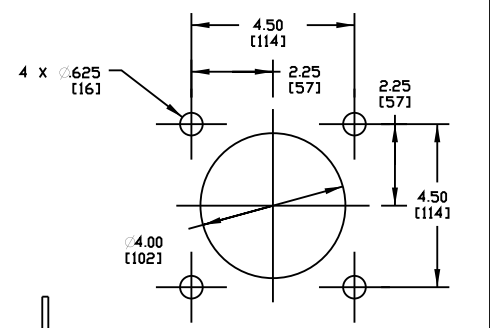
PART NO.	DIM "A" BLADE LENGTH	DIM "B" MNFRM LENGTH	P/N ITEM 2
PVIS-18XX12XXXX	12.00 [305]	48.00 [1219]	38850
PVIS-18XX16XXXX	16.00 [406]	48.00 [1219]	38850
PVIS-24XX18XXXX	18.00 [457]	54.00 [1372]	38850
PVIS-24XX22XXXX	22.00 [559]	54.00 [1372]	38850
PVIS-30XX24XXXX	24.00 [610]	60.00 [1524]	38850
PVIS-30XX28XXXX	28.00 [711]	60.00 [1524]	38850
PVIS-36XX30XXXX	30.00 [762]	66.00 [1676]	38850
PVIS-36XX34XXXX	34.00 [864]	66.00 [1676]	38850
PVIS-42XX36XXXX	36.00 [914]	72.00 [1829]	38850
PVIS-42XX40XXXX	40.00 [1016]	72.00 [1829]	38850
PVIS-48XX42XXXX	42.00 [1067]	78.00 [1981]	38850
PVIS-48XX46XXXX	46.00 [1168]	78.00 [1981]	38850
PVIS-54XX48XXXX	48.00 [1219]	84.00 [2134]	38850-2
PVIS-54XX52XXXX	52.00 [1321]	84.00 [2134]	38850-2
PVIS-60XX54XXXX	54.00 [1372]	90.00 [2286]	38850-2
PVIS-60XX58XXXX	58.00 [1473]	90.00 [2286]	38850-2
PVIS-66XX60XXXX	60.00 [1524]	96.00 [2438]	38850-2
PVIS-72XX66XXXX	66.00 [1676]	102.00 [2591]	38850-2
PVIS-72XX70XXXX	70.00 [1778]	102.00 [2591]	38850-2



- NOTES:
- 1) ALL DIMENSIONS ARE GIVEN IN INCHES (MM) AND ARE FOR REFERENCE ONLY.
 - 2) WHERE EXTREME OR UNUSUAL CONDITIONS EXIST, OR SPECIAL MAINFRAME LENGTHS ARE REQUIRED, CONTACT MARTIN.
 - 3) THE PVIS PRE-CLEANER BLADES ARE DESIGNED TO REMOVE HEAVY CARRYBACK ONLY. DO NOT OVERTENSION.
 - 4) BLADE COVERAGE WILL BE LESS THAN BELT WIDTH DUE TO POSSIBLE MISTRACKING OR DAMAGED EDGES OF BELT.
 - 5) CLEANER CAN BE LOCATED ANYWHERE ALONG THE 2.75 [70] ARC AS LONG AS THE BLADE TIP IS BELOW THE HORIZONTAL CENTERLINE. THE CLEANER IS SHOWN IN THE RECOMMENDED POSITION.
 - 6) TENSIONER ASSEMBLY MAY BE BOLTED OR WELDED IN PLACE. MARTIN ENGINEERING RECOMMENDS BOLTING WHEN APPLICABLE FOR EASIER MAINTENANCE AND ACCESSIBILITY.
 - 7) IN SEVERE APPLICATIONS THE TWIST TENSIONER ADAPTER MAY REQUIRE TO BE WELDED TO THE MAINFRAME.
 - 8) REFER TO OPERATOR'S MANUAL'S, FOR INSTALLATION AND TENSIONING INSTRUCTIONS.

- NOTES CONTINUED:
- 9) IN THE PVIS-XXIIXXXXXX PART NUMBER:
 THE PVIS INDICATES A STANDARD DUTY PRE-CLEANER.
 THE FIRST TWO XX'S INDICATE BELT WIDTH.
 THE NEXT TWO XX'S INDICATE THE BLADE TYPE.
 11 = SOLID BLADE
 10 = SEGMENTED BLADE
 THE NEXT TWO XX'S INDICATE THE BLADE COVERAGE:
 00 = NO BLADE
 BR = BROWN BLADE
 CL = TAN BLADE
 GR = GREEN BLADE
 NB = NAVY BLUE BLADE
 DR = ORANGE BLADE
 THE NEXT X INDICATES THE MAINFRAME TYPE:
 0 = NO MAINFRAME
 P = STANDARD PAINTED MAINFRAME
 THE LAST X INDICATES THE ACCESSORY OPTIONS:
 0 = NO OPTIONS
 C = WITH SPRING CABLE TENSIONER
 T = WITH TENSIONER

ITEM	QTY.	DESCRIPTION	PART NUMBER
1	1	MARTIN®PV PERFORMANCE DUTY CLEANER	PVIS-XXXXXXXXXX
2	1	MARTIN®TWIST TENSIONER ASM	SEE CHART
3	1	MARTIN®LOW PROFILE STL DOOR 9X12	CYA-0912



©Copyright 2016 Martin Engineering. All rights reserved. Covered by US and foreign patents pending and issued. ® and TM indicate trademarks of Martin Engineering.

MARTIN ENGINEERING
NEPONSET, IL USA

TITLE: MARTIN®PV PERFORMANCE DUTY W/TWIST TENSIONER & 9 X 12 STEEL ACCESS DOOR

NO. DESCRIPTION ECN DATE BY SALES DRAWING

REVISION

APPROVED DM DATE 08/09/11 SCALE 1/4

NO.	DESCRIPTION	ECN	DATE	BY
B	CHGD DIM FROM 2.75-3.00 TO 2.75 IN ARC AND IN NOTE / ADDED P/N PVIS-66XX60XXXX TO CHART	14530	04/08/16	JAH
A	CHGD DIM FROM 3.00 TO 2.75-3.00 IN ARC AND IN NOTE	14166	03/05/15	JAH

