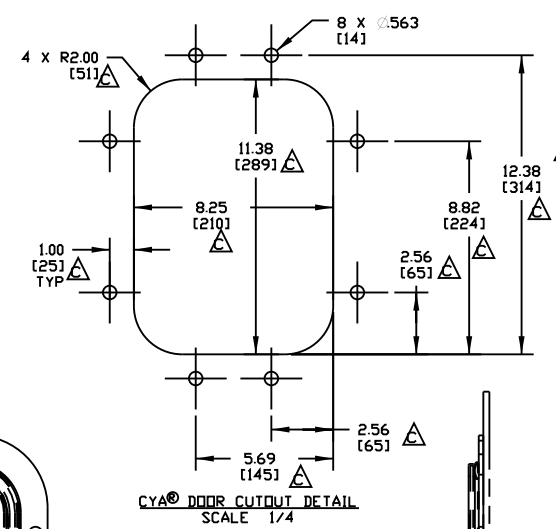


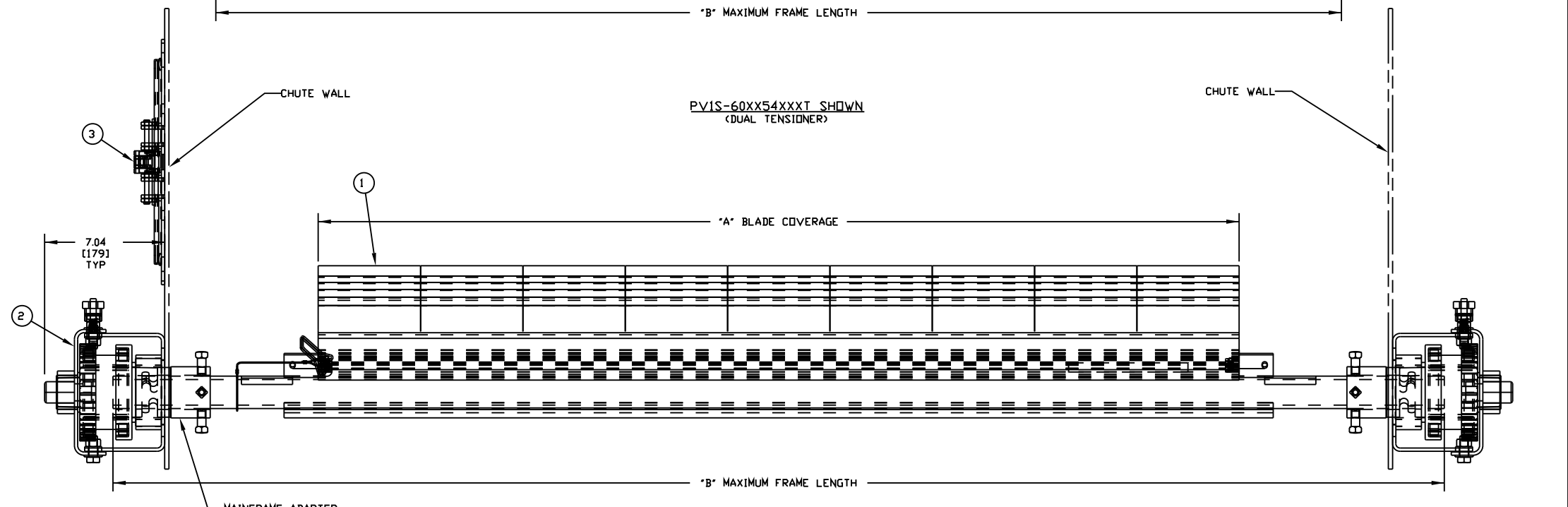
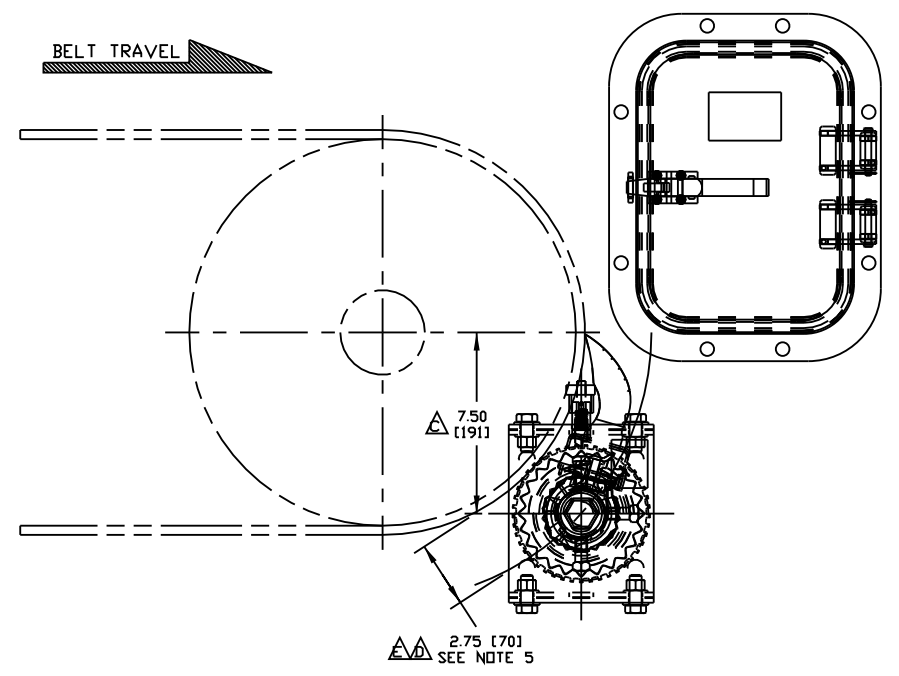
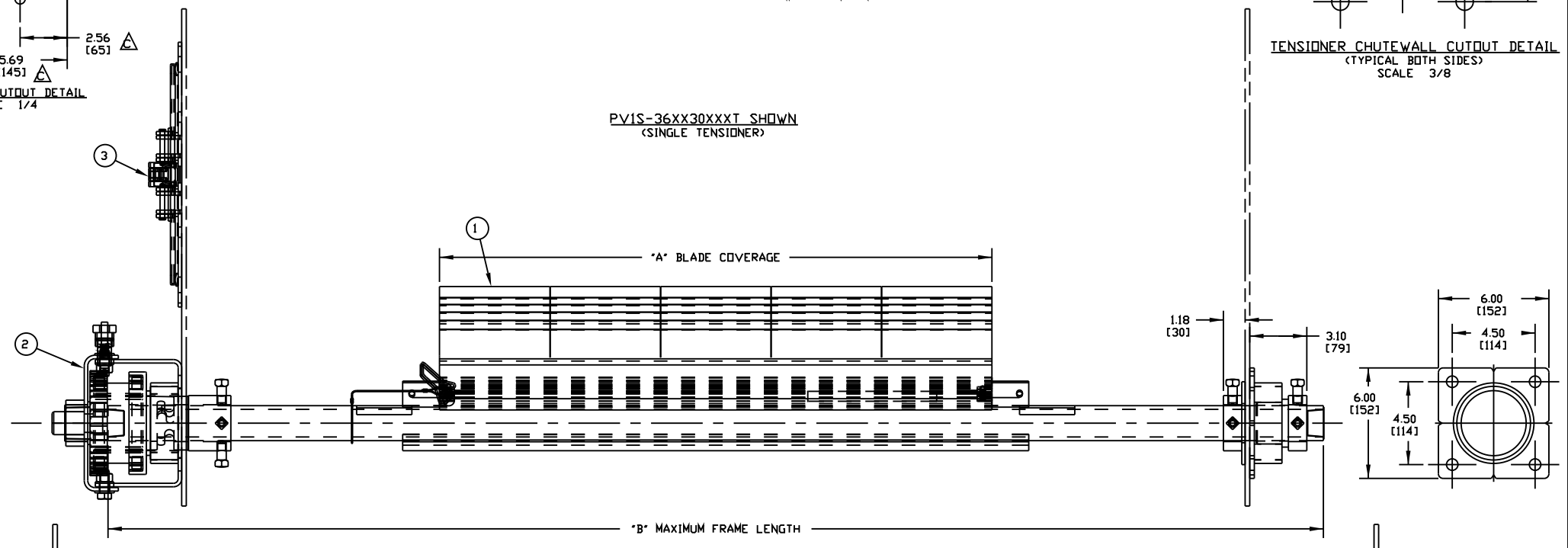
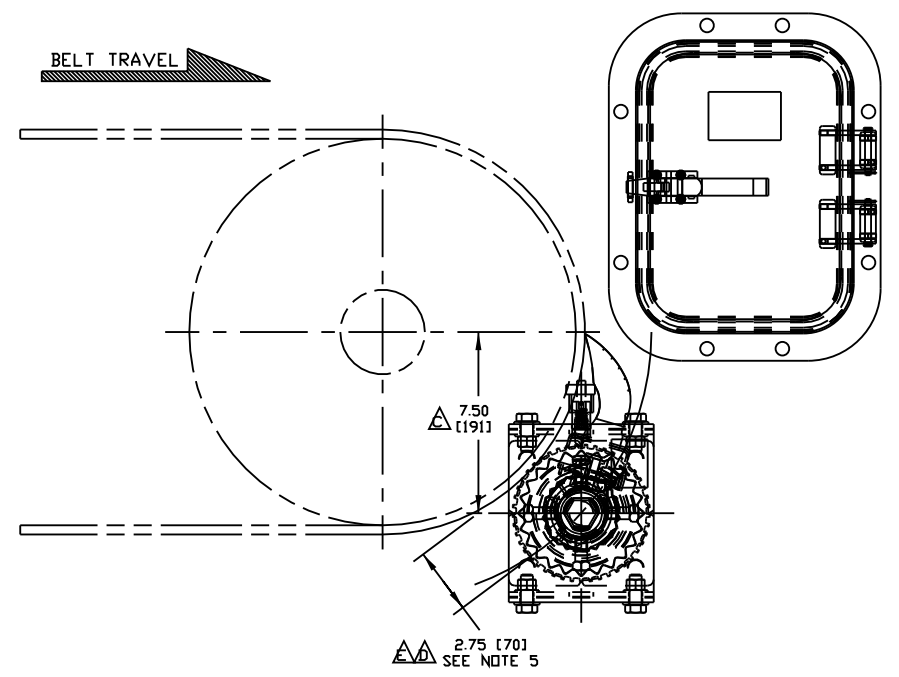
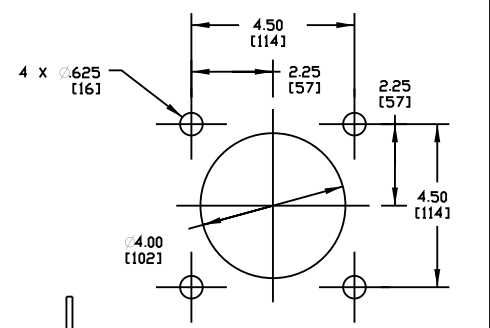
PART NO.	DIM "A" BLADE LENGTH	DIM "B" MNFRM LENGTH	P/N ITEM 2
PVIS-18XX12XXXX	12.00 [305]	48.00 [1219]	31443
PVIS-18XX16XXXX	16.00 [406]	48.00 [1219]	31443
PVIS-24XX18XXXX	18.00 [457]	54.00 [1372]	31443
PVIS-24XX22XXXX	22.00 [559]	54.00 [1372]	31443
PVIS-30XX24XXXX	24.00 [610]	60.00 [1524]	31443
PVIS-30XX28XXXX	28.00 [711]	60.00 [1524]	31443
PVIS-36XX30XXXX	30.00 [762]	66.00 [1676]	31443
PVIS-36XX34XXXX	34.00 [864]	66.00 [1676]	31443
PVIS-42XX36XXXX	36.00 [914]	72.00 [1829]	31443
PVIS-42XX40XXXX	40.00 [1016]	72.00 [1829]	31443
PVIS-48XX42XXXX	42.00 [1067]	78.00 [1981]	31443
PVIS-48XX46XXXX	46.00 [1168]	78.00 [1981]	31443
PVIS-54XX48XXXX	48.00 [1219]	84.00 [2134]	31443-2R
PVIS-54XX52XXXX	52.00 [1321]	84.00 [2134]	31443-2R
PVIS-60XX54XXXX	54.00 [1372]	90.00 [2286]	31443-2R
PVIS-60XX58XXXX	58.00 [1473]	90.00 [2286]	31443-2R
PVIS-66XX60XXXX	60.00 [1524]	96.00 [2438]	31443-2R
PVIS-72XX66XXXX	66.00 [1676]	102.00 [2591]	31443-2R
PVIS-72XX70XXXX	70.00 [1778]	102.00 [2591]	31443-2R



- NOTES:
- 1) ALL DIMENSIONS ARE GIVEN IN INCHES (MM) AND ARE FOR REFERENCE ONLY.
 - 2) WHERE EXTREME OR UNUSUAL CONDITIONS EXIST, OR SPECIAL MAINFRAME LENGTHS ARE REQUIRED, CONTACT MARTIN.
 - 3) THE PVIS PRECLEANER BLADES ARE DESIGNED TO REMOVE HEAVY CARRYBACK ONLY. DO NOT OVERTENSION.
 - 4) BLADE COVERAGE WILL BE LESS THAN BELT WIDTH DUE TO POSSIBLE MISTRACKING OR DAMAGED EDGES OF BELT. CLEANER CAN BE LOCATED ANYWHERE ALONG THE 2.75 (70) ARC AS LONG AS THE BLADE TIP IS BELOW THE HORIZONTAL CENTERLINE. THE CLEANER IS SHOWN IN THE RECOMMENDED POSITION.
 - 5) TENSIONER ASSEMBLY MAY BE BOLTED OR WELDED IN PLACE. MARTIN ENGINEERING RECOMMENDS BOLTING WHEN APPLICABLE FOR EASIER MAINTENANCE AND ACCESSIBILITY.
 - 6) IN SEVERE APPLICATIONS THE TWIST TENSIONER ADAPTER MAY REQUIRE TO BE WELDED TO THE MAINFRAME.
 - 7) REFER TO OPERATOR'S MANUAL'S, FOR INSTALLATION AND TENSIONING INSTRUCTIONS.

- NOTES CONTINUED:
- 9) IN THE PVIS-XXIIXXXXXX PART NUMBER: THE PVIS INDICATES A STANDARD DUTY PRE-CLEANER. THE FIRST TWO XX'S INDICATE BELT WIDTH. THE NEXT TWO XX'S INDICATE THE BLADE TYPE.
 - 11 = SOLID BLADE
 - 10 = SEGMENTED BLADE
 - THE NEXT TWO XX'S INDICATE THE BLADE COVERAGE:
 - 00 = NO BLADE
 - THE NEXT TWO XX'S INDICATE THE BLADE URETHANE TYPE:
 - 00 = NO BLADE
 - BR = BROWN BLADE
 - CL = TAN BLADE
 - GR = GREEN BLADE
 - NB = NAVY BLUE BLADE
 - OR = ORANGE BLADE
 - THE NEXT X INDICATES THE MAINFRAME TYPE:
 - 0 = NO MAINFRAME
 - P = STANDARD PAINTED MAINFRAME
 - THE LAST X INDICATES THE ACCESSORY OPTIONS:
 - 0 = NO OPTIONS
 - C = WITH SPRING CABLE TENSIONER
 - T = WITH TENSIONER

ITEM	QTY.	DESCRIPTION	PART NUMBER
1	1	MARTIN®PV PERFORMANCE DUTY CLEANER	PVIS-XXXXXXXXXX
2	1	MARTIN®TWIST TENSIONER ASM	SEE CHART
3	1	MARTIN®LOW PROFILE STL DOOR 9X12	CYA-0912



NO.	REVISION	DESCRIPTION	ECN	DATE	BY
E		CHGD DIM FROM 2.75-3.00 TO 2.75 IN ARC AND IN NOTE / ADDED P/N PVIS-66XX60XXXX TO CHART	14530	04/08/16	JAH
D		CHGD DIM FROM 3.00 TO 2.75-3.00 IN ARC AND IN NOTE	14166	03/05/15	JAH
C		CHGD P/N FROM 34995-0912 TO CYA-0912 IN BOM/CHGD DIM FROM 7.00 TO 7.50, 4 X R1.81 TO 4 X R2.00, .75 TO 1.00, 2.81 TO 2.56, 5.94 TO 5.69, 8.75 TO 8.25, 11.88 TO 11.38, 2.82 TO 2.56, 9.07 TO 8.82 & 12.63 TO 12.38	12568	02/10/09	MJB
B		ADDED BROWN AND GREEN BLADE OPTION TO NOTES (P/10054)	-----	08/24/07	MJB
A		ADDED OPTION TO SEGMENT BLADE / UPDATED NOTES / CHGD P/N'S FROM PVIS-XXIXXXXXX TO PVIS-XXXXXX (P/10672)	-----	02/07/07	RND

©Copyright 2016 Martin Engineering. All rights reserved. Covered by US and foreign patents pending and issued. ® and ™ indicate trademarks of Martin Engineering.

MARTIN ENGINEERING
NEPONSET, IL USA

TITLE: MARTIN®PV PERFORMANCE DUTY W/TWIST TENSIONER & 9 X 12 STEEL ACCESS DOOR

SALES DRAWING

MD0688 S50045

DRAWN RND
DATE 01/09/07
CHECKED
ENG. MJB
DATE 01/10/07
APPROVED DM
DATE 01/10/07
SCALE 1/4

