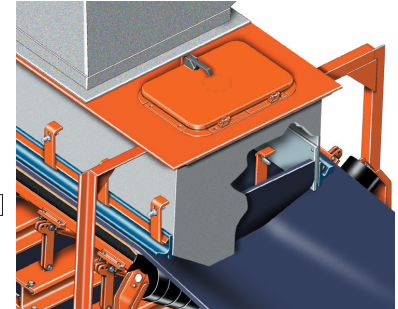
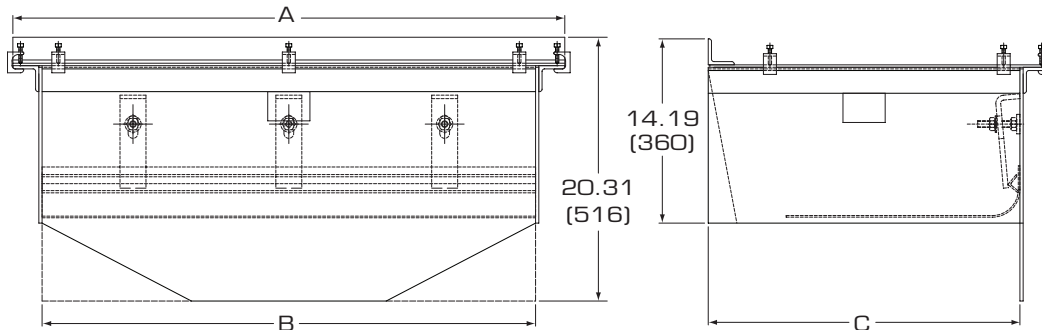


Martin® Tail Sealing Box

To conquer the age-old problem of material spilling off the tail of the conveyor, install the **Martin® Tail Sealing Box**. Installed on the rear of the chutework, the box uses **Martin® ApronSeal™ Skirting** and Strip Rubber to create an effective seal to keep material on the conveyor.



Martin® ApronSeal™ Skirting
Part of skirtboard sealing system and is not supplied with Martin® Tail Sealing Box.

Dimensions - in. (mm)

Martin® Inspection Doors are optional equipment.

Martin® Inspection Door in top of Martin® Tail Sealing Box is nominal 12 x 18 inches (297 x 451 mm) except for Martin® Tail Sealing Box for 18-inch conveyor where the door is 9 x 12 inches (222 x 305 mm).

Top of Martin® Tail Sealing Box is constructed of 3/16-inch (4.8-mm) mild steel. Sides are 1/4 inch (6 mm).

Belt Width	Dimensions						Part Number
	A		B		C		
18 (400-500)	18.50 (470)	14.00 (356)	24 (610)	33268-18			
24 (500-650)	24.50 (622)	20.00 (508)	24 (610)	33268-24			
30 (650-800)	30.50 (775)	26.00 (600)	24 (610)	33268-30			
36 (800-1000)	36.50 (927)	32.00 (813)	24 (610)	33268-36			
42 (1000-1200)	42.50 (1065)	38.00 (965)	24 (610)	33268-42			
48 (1200-1400)	48.50 (1232)	44.00 (1118)	48 (1219)	33268-48			
54 (1400-1600)	54.50 (1384)	50.00 (1270)	48 (1219)	33268-54			
60 (1600-1800)	60.50 (1537)	56.00 (1422)	48 (1219)	33268-60			
72 (1800-2000)	72.50 (1841)	68.00 (1727)	48 (1219)	33268-72			
84 (2000-2200)	84.50 (2146)	80.00 (2032)	48 (1219)	33268-84			
96 (2200-2400)	96.50 (2451)	92.00 (2337)	48 (1219)	33268-96			

NOTES:

Martin Engineering recommends that the Tail Sealing Box be installed so the bottom edge of the box extends to within 0.75 inches (19 mm) above the belt.

It is important that the belt is not allowed to lift off the idlers during conveyor start-up or operation.

Conveyor must track properly to prevent belt edge from running behind the Martin® ApronSeal™ Skirting.

Martin® Tail Sealing Box is supplied as panels, ready for field assembly by bolting or welding.

Back and side panels may need to be modified to match conveyor profile. See installation instructions for details.

For installations on conveyors with unusual conditions, such as concave or convex curves, high side-loading pressures, extremely fast-moving belts, temperature extremes, or corrosive environments, consult Martin Engineering.



Martin Engineering USA
One Martin Place
Neponset, IL 61345-9766 USA
800 544 2947 or 309 852 2384
Fax 800 814 1553
www.martin-eng.com

**COMPANY WITH
QUALITY SYSTEM
CERTIFIED BY DNV
= ISO 9001:2008 =**