

BELT WIDTH	TROUGH ANGLE	CHUTE WIDTH INSIDE
18	ALL	9.00 [229]
24	ALL	13.75 [349]
30	20	18.75 [476]
30	35	17.50 [445]
30	45	16.38 [416]
36	20	24.50 [622]
36	35	23.00 [584]
36	45	21.25 [540]
42	20	30.00 [762]
42	35	27.75 [705]
42	45	25.50 [648]
48	20	35.75 [908]
48	35	33.00 [838]
48	45	30.25 [768]
54	20	41.50 [1054]
54	35	38.25 [972]
54	45	35.25 [895]
60	20	47.25 [1200]
60	35	43.50 [1105]
60	45	40.00 [1016]
72	20	59.00 [1499]
72	35	54.25 [1378]
72	45	50.00 [1270]

CHUTEWALL	
PART NO.	LENGTH
37548-4EW	48.00 [1219]
37548-6EW	72.00 [1829]
37548-8EW	96.00 [2438]

ORDER 2 X BELT FEET QTY OF EITHER 6 OR 8 FOOT CHUTEWALL AS REQUIRED. ORDER QTY OF 4 FOOT CHUTEWALL TO FINISH OUT TRANSFER POINT TO REQUIRED LENGTH (IF NEEDED).

OUTER SUPPORTS			
BELT WIDTH	STANDARD BASE	WIDE BASE	
18-42	37554-RIS	37554-RIW	
	37554-LIS	37554-LIW	
48-72	37554-R2S	37554-R2W	
	37554-L2S	37554-L2W	

QTY 1 RIGHT & LEFT SUPPORT REQUIRED FOR EVERY 4 BELT FEET OF CHUTEWALL. ORDER QTY OF 4 FOOT CHUTEWALLS. QTY 1 REQ'D FOR EVERY 6 FEET FOR THE 6 FOOT CHUTEWALL.

INNER SUPPORT	
37564-XXXX	
FIRST XX INDICATES BELT WIDTH	
NEXT XX INDICATES TROUGH ANGLE	
(CENTER 00 FOR 18 & 24 BELTS)	
QTY 1 SUPPORT NEEDED FOR EVERY 4 BELT FEET OF CHUTEWALL FOR THE 8 AND 4 FOOT CHUTEWALLS.	
QTY 1 REQ'D FOR EVERY 6 FEET FOR THE 6 FOOT CHUTEWALL.	

WEARLINER			
PART NO.	LENGTH	THICKNESS	MATERIAL
38481-425S	72.00 [1829]	25 [6]	AR 400
38481-425S48	48.00 [1219]	25 [6]	AR 400
38481-438S	72.00 [1829]	38 [10]	AR 400
38481-438S48	48.00 [1219]	38 [10]	AR 400
38481-450S	72.00 [1829]	50 [13]	AR 400
38481-450S48	48.00 [1219]	50 [13]	AR 400
38481-525S	72.00 [1829]	25 [6]	AR 500
38481-525S48	48.00 [1219]	25 [6]	AR 500
38481-538S	72.00 [1829]	38 [10]	AR 500
38481-538S48	48.00 [1219]	38 [10]	AR 500
38481-550S	72.00 [1829]	50 [13]	AR 500
38481-550S48	48.00 [1219]	50 [13]	AR 500
38481-C38S	72.00 [1829]	38 [10]	304 SS
38481-C38S48	48.00 [1219]	38 [10]	304 SS
38481-550S	72.00 [1829]	50 [13]	304 SS
38481-C50S48	48.00 [1219]	50 [13]	304 SS
38481-C38S	72.00 [1829]	38 [10]	316 SS
38481-S38S48	48.00 [1219]	38 [10]	316 SS
38481-S50S	72.00 [1829]	50 [13]	316 SS
38481-S50S48	48.00 [1219]	50 [13]	316 SS

SELECT THICKNESS & MATERIAL OF WEARLINER. ORDER THE REQUIRED NUMBER OF 4 & 6 FOOT WEARLINERS FOR THE TOTAL TRANSFER POINT REQUIREMENT. P/N INCLUDES APRON SEAL CLAMPS AND HARDWARE.

TAIL PANEL RUBBER SHEET	
PART NO.	LENGTH
37881-18	14.00 [356]
37881-24	20.00 [508]
37881-30	26.00 [660]
37881-36	32.00 [813]
37881-42	38.00 [965]
37881-48	44.00 [1118]
37881-54	50.00 [1270]
37881-60	56.00 [1422]
37881-72	68.00 [1727]

FIRST XX INDICATES BELT WIDTH. TRIM SHEET TO FIT INSIDE CHUTE.

APRON SEAL	
PART NO.	DESCRIPTION
100723	HD ONE PIECE
100724	STD ONE PIECE
100873	STD DOUBLE
100861	HD DOUBLE

ORDER 2 X BELT FEET OF CHUTEWALL FOR TOTAL TRANSFER POINT REQUIREMENT

TOP FLAT COVERS	
PART NO.	LENGTH
37555-XXXXC	48.00 [1219]
37555-XXXXT	50.50 [1283]
37555-XXXXDC	24.00 [610]

FIRST XX INDICATES BELT WIDTH. NEXT XX INDICATES TROUGH ANGLE (CENTER 00 FOR 18 & 24 BELTS). QTY OF 37555-XXXXC AS REQ'D. QTY 1 37555-XXXXT REQ'D PER INSTALLATION. QTY 2 37555-XXXXDC REQ'D FOR DUST CURTAINS DEPENDING ON LENGTH OF CHUTEWALL. QTY 1 ADDITIONAL -XXXXDC MAY BE NEEDED.

TOP FLAT COVER DUST CURTAINS	
PART NO.	SLIT
37879-XXXXXXSL	SLIT
37879-XXXXXXSD	SOLID

FIRST XX INDICATES BELT WIDTH. NEXT XX INDICATES TROUGH ANGLE (CENTER 00 FOR 18 & 24 BELTS). LAST XX INDICATES TOTAL CHUTEWALL HEIGHT. QTY 1 SOLID & 1 SLIT CURTAIN REQUIRED FOR EACH INSTALLATION.

STILLING ZONE CHUTEWALL EXTENSION	
PART NO.	HEIGHT
37552-06	6.00 [152]
37552-12	12.00 [305]
37552-18	18.00 [457]

ORDER 2 X BELT FEET QTY OF 4 FOOT CHUTEWALL EXTENSIONS REQUIRED FOR SINGLE HEIGHT EXTENSION. EXTENSIONS CAN BE STACKED TO DESIRED HEIGHT.

STILLING ZONE COVERS	
PART NO.	LENGTH
37560-XXXX	48.00 [1219]
37560-XXXXSZ	48.00 [1219]

FIRST XX INDICATES BELT WIDTH. NEXT XX INDICATES TROUGH ANGLE (18 BELTS WILL NOT HAVE STILLING CURTAINS). (USE 00 FOR TROUGH ANGLE FOR ALL 18 & 24 BELTS). QTY OF 37560-XXXX AS REQ'D. QTY OF 37560-XXXXSZ AS REQ'D.

STILLING ZONE END COVERS	
PART NO.	ENTRY
37553-XXXXXX	ENTRY
37553-XXXXX24	EXIT

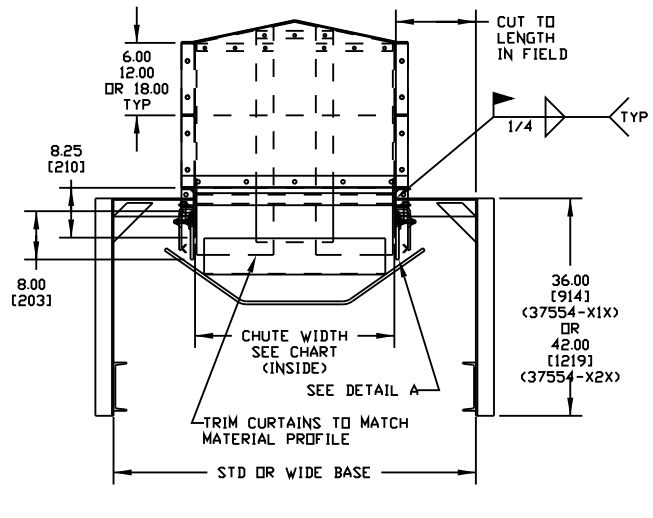
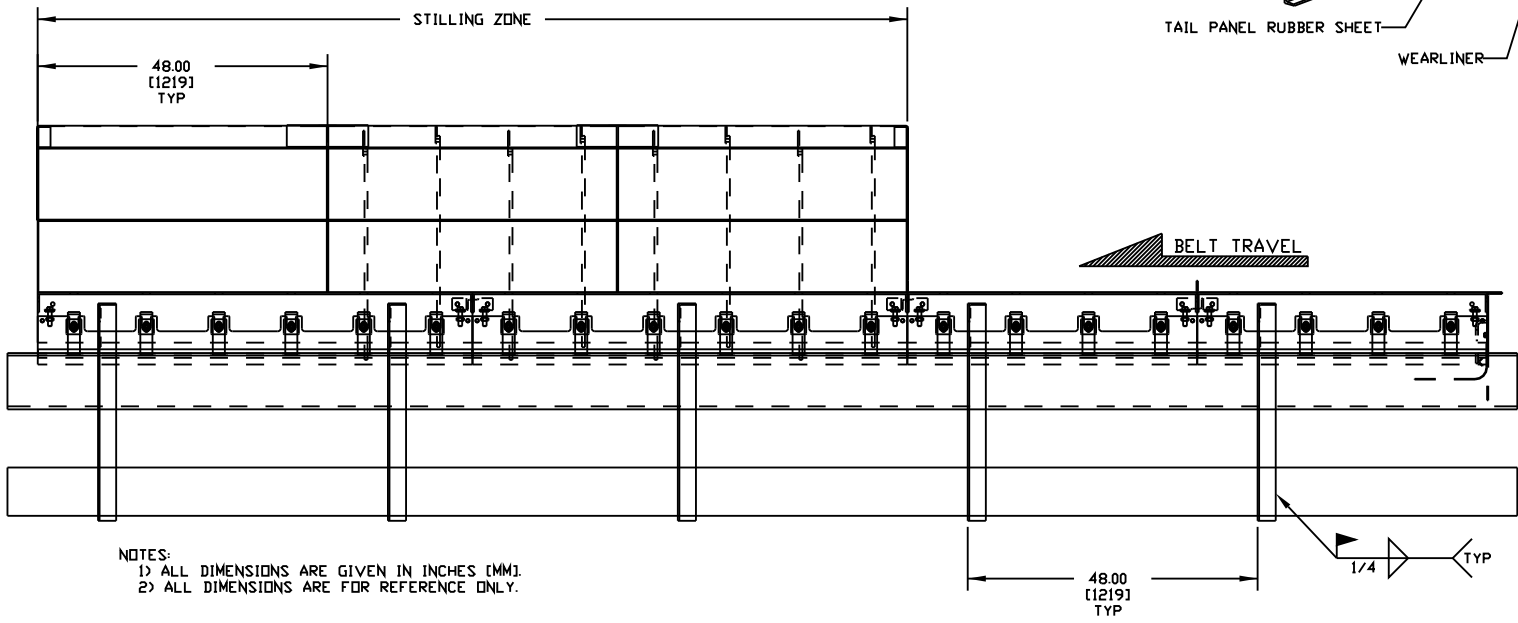
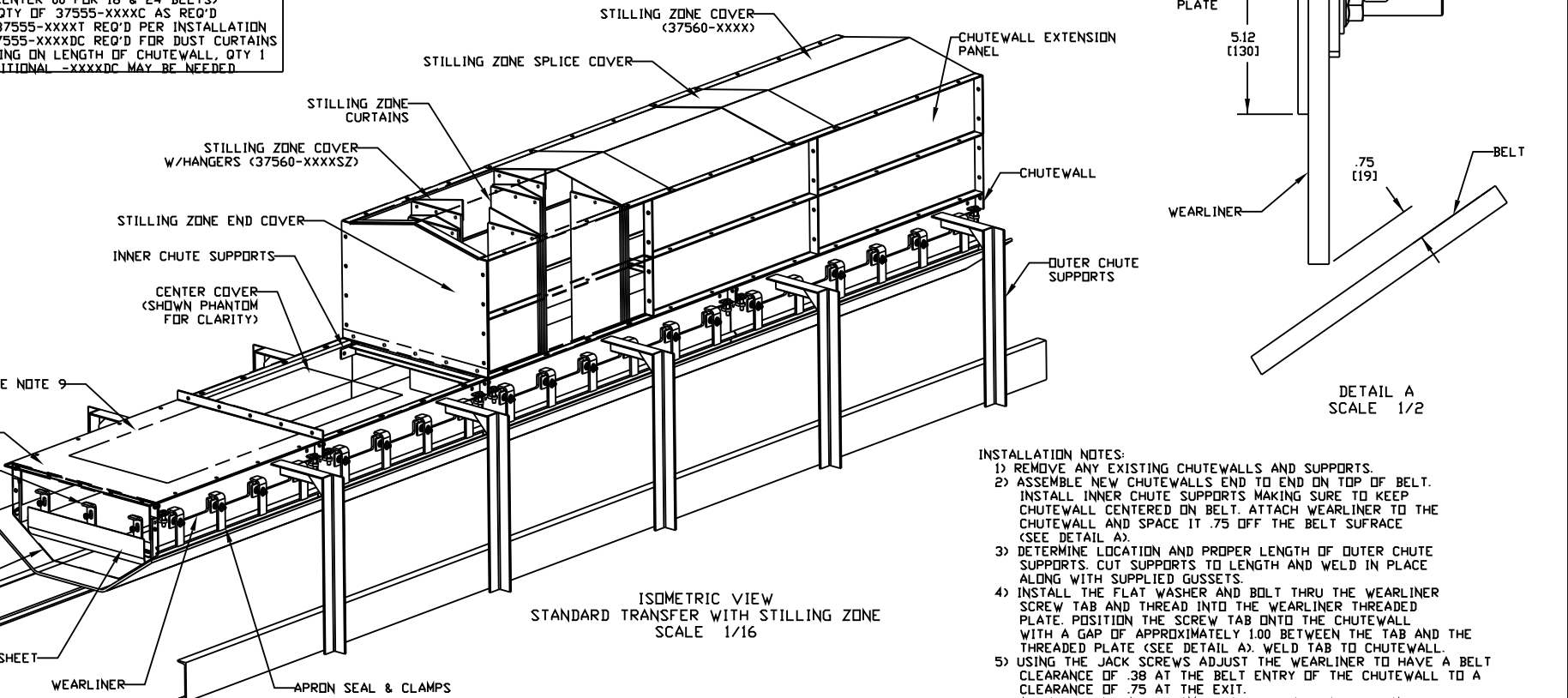
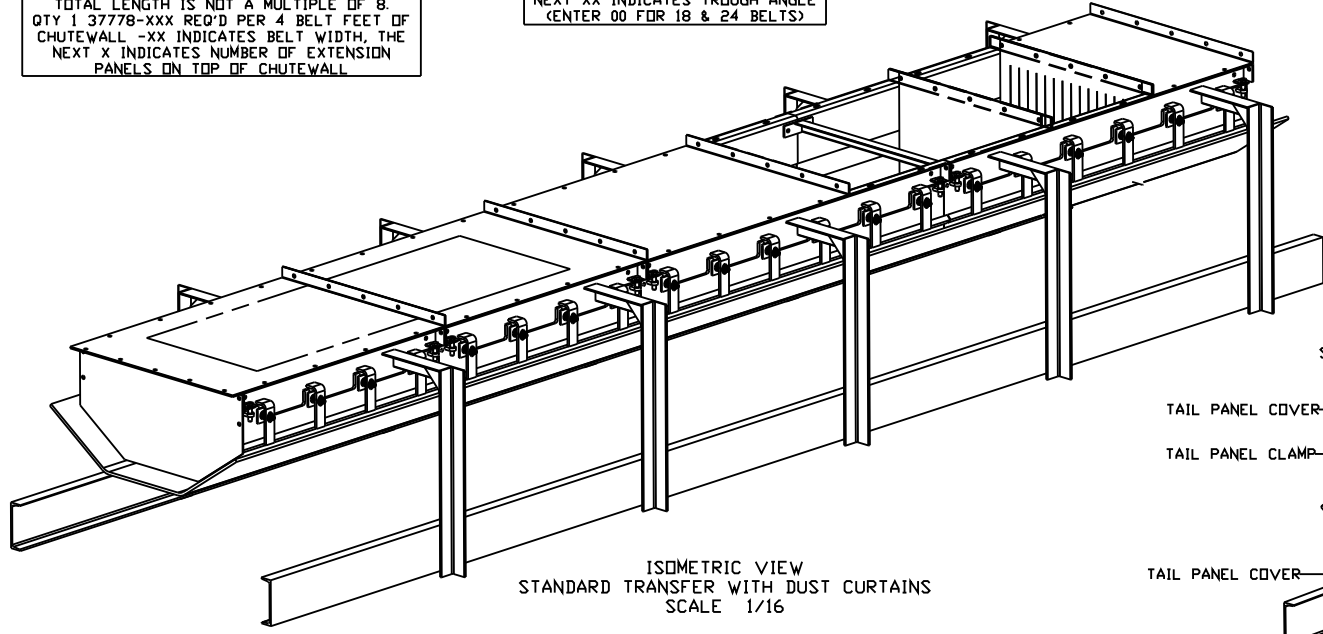
FIRST XX INDICATES BELT WIDTH. NEXT XX INDICATES TROUGH ANGLE. LAST XX INDICATES CHUTEWALL HEIGHT (USE 00 FOR TROUGH ANGLE ON 18 & 24 BELTS). (END COVER LENGTH TO EQUAL TOTAL HEIGHT OF CHUTEWALL AND EXTENSIONS). QTY 1 ENTRY COVER & 1 EXIT COVER REQ'D FOR EACH STILLING ZONE.

STILLING ZONE CURTAINS	
37557-XXXXC	
FIRST XX INDICATES BELT WIDTH	
NEXT XX INDICATES CURTAIN LENGTH	
(CURTAIN LENGTH TO EQUAL TOTAL HEIGHT OF CHUTEWALL AND EXTENSIONS)	
QTY 6 CURTAINS REQUIRED FOR EACH 37560-XXXXSZ COVER	

STILLING ZONE SPLICE COVER	
37559-XXXX	
FIRST XX INDICATES BELT WIDTH	
NEXT XX INDICATES TROUGH ANGLE	
(CENTER 00 FOR 18 & 24 BELTS)	
QTY 1 REQ'D PER STILLING ZONE COVER	

INSTALLATION HARDWARE	
37777-ST	
QTY 1 37777-ST REQ'D PER 8 BELT FEET OF CHUTEWALL. ORDER 1 ADDITIONAL KIT IF TOTAL LENGTH IS NOT A MULTIPLE OF 8.	
QTY 1 37778-XXX REQ'D PER 4 BELT FEET OF CHUTEWALL -XX INDICATES BELT WIDTH, THE NEXT X INDICATES NUMBER OF EXTENSION PANELS ON TOP OF CHUTEWALL.	

TAIL PANEL CLAMP	
33262-XXXX	
FIRST XX INDICATES BELT WIDTH	
NEXT XX INDICATES TROUGH ANGLE	
(CENTER 00 FOR 18 & 24 BELTS)	



- INSTALLATION NOTES:
- 1) REMOVE ANY EXISTING CHUTEWALLS AND SUPPORTS.
 - 2) ASSEMBLE NEW CHUTEWALLS END TO END ON TOP OF BELT. INSTALL INNER CHUTE SUPPORTS MAKING SURE TO KEEP CHUTEWALL CENTERED ON BELT. ATTACH WEARLINER TO THE CHUTEWALL AND SPACE IT .75 OFF THE BELT SURFACE (SEE DETAIL A).
 - 3) DETERMINE LOCATION AND PROPER LENGTH OF OUTER CHUTE SUPPORTS. CUT SUPPORTS TO LENGTH AND WELD IN PLACE ALONG WITH SUPPLIED GUSSETS.
 - 4) INSTALL WITH FLAT WASHER AND BOLT THRU THE WEARLINER SCREW TAB AND THREAD INTO THE WEARLINER THREADED PLATE. POSITION THE SCREW TAB ONTO THE CHUTEWALL WITH A GAP OF APPROXIMATELY 1.00 BETWEEN THE TAB AND THE THREADED PLATE (SEE DETAIL A). WELD TAB TO CHUTEWALL.
 - 5) USING THE JACK SCREWS ADJUST THE WEARLINER TO HAVE A BELT CLEARANCE OF .38 AT THE BELT ENTRY OF THE CHUTEWALL TO A CLEARANCE OF .75 AT THE EXIT.
 - 6) INSTALL WEARLINER CLAMP PLATES, FLAT WASHERS, AND THE FLANGE NUTS ONTO THE STUDS AND TIGHTEN.
 - 7) INSTALL TAIL PANEL RUBBER SEAL SHEET AND CLAMP.
 - 8) STARTING AT EXIT END OF CHUTEWALL INSTALL CHUTE EXTENSIONS (IF REQUIRED) STILLING ZONE CURTAINS AND OR DUST CURTAINS, AND CHUTEWALL COVERS.
 - 9) CUT TAIL AND CENTER COVERS AS NEEDED TO FIT AROUND EXISTING FEED CHUTE(S).
 - 10) PLACE APRON SEAL AGAINST THE CHUTEWALL, MAKING SURE IT IS IN CONTINUOUS CONTACT WITH THE BELT. PLACE ANGLE CLAMP WELDMENTS OVER THE STUDS. PUSH THE CLAMPS TIGHT AGAINST THE APRON SEAL AND INSTALL THE HARDWARE. TIGHTEN THE NUTS TO 40 FT/LBS.
 - 11) BELT MUST NOT LIFT OFF IDLERS DURING START-UP OR WHILE BELT IS IN OPERATION. ALSO BELT MUST TRACK PROPERLY TO PREVENT IT FROM RUNNING BEHIND THE APRON SEAL.
 - 12) APRON SEAL AND WEARLINER SHOULD BE INSTALLED ON THE CHUTEWALL AT LEAST 12.00 BEFORE THE BELT LOAD POINT.

Copyright 2016 Martin Engineering. All rights reserved. Covered by US and Foreign patents pending and issued. R and TM indicate trademarks of Martin Engineering.

MARTIN ENGINEERING
NEPONSET, IL USA

TITLE	MODULAR CHUTEWALL STD TRANSFER POINT W/ EXTERNAL WEARLINER	DRAWN	RND
DATE	01/07/16	CHECKED	
ENG.	JAP	DATE	01/25/16
APPROVED	JRB	DATE	01/25/16
SCALE	1/16		

NO.	DESCRIPTION	ECN	DATE	BY
	REVISION			

SALES DRAWING
M00878 S50019-SEW

