

Martin® Inspection Doors



Available in rubber, mild steel, or stainless steel, Martin® Inspection Doors provide quick and easy access to belt cleaners and other components inside chutes and enclosures for inspection or service.

Depending on the chosen options, the doors are applicable in temperatures from -30°C up to +205°C.

BENEFITS

MARTIN® RUBBER INSPECTION DOORS

Martin® Rubber Inspection Doors should only be used when belt cleaner mainframe is required to extend through the door.

- **Dust-Tight Seal**
“Snap-on” rubber doors form tight seal to contain dust and fines.
- **Works In Tight Spaces**
Opens in less than 65 mm clearance for access in obstructed areas.
- **Options to Fit Conditions**
Materials to match conditions, including nitril rubber (65 shore) doors for high-temperature applications up to 121°C or food-grade applications. Optional inspection screen controls access when door is open; complies with ISO 1819-02.1.11.
- **Simple Installation**
Door can be bolted or welded to enclosure wall.
- **Matches Your Application**
Five sizes available, from (229 X 305 mm) to (610 X 610 mm).

MARTIN® STEEL INSPECTION DOORS

- **Dust-Tight Seal**
Rubber seal prevents material escape.
- **“Low-Profile” Design**
Door height of 46 mm with handle in latched position.
- **Suitable For High Temperatures**
Rubber seal is suitable for temperatures up to 177°C.
- **Built for Tough Conditions**
Steel door withstands typical positive and negative pressure applications.
- **Simple Installation**
Door can be bolted or welded to enclosure wall.
- **Matches Your Application**
Six sizes available, from (229 X 305 mm)

TECHNICAL DATA SHEET

APPLICATION GUIDELINES

Martin Engineering recommends a minimum door size of 12 X 14 in. (305 X 356 mm) for pre-cleaners and 12 X 18 in. (305 X 457 mm) for secondary cleaners.

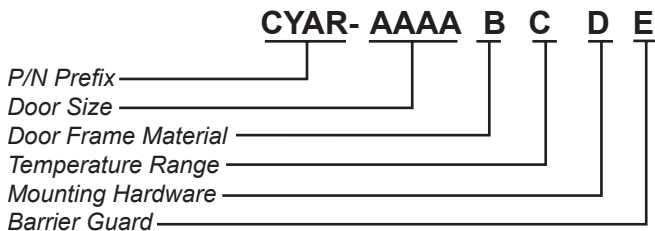
Other options, including food-grade rubber and/or stainless steel frame are available. See your Martin Engineering representative.

STANDARD DOOR SIZES in. (mm)

9 X 12 (229 X 305)	18 X 24 (457 X 610)
12 X 14 (305 X 356)	24 X 24 (610 X 610)
12 X 18 (305 X 457)	

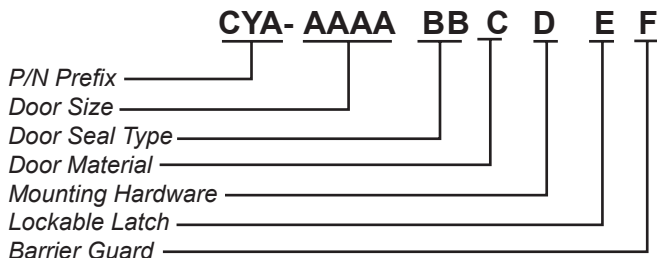
Additional sizes of steel doors are available upon request.

Martin® Rubber Inspection Door



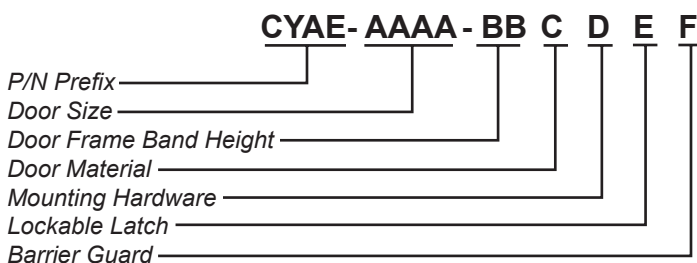
- | | |
|--|--|
| A: Door size*
Approximate door size in inches (width x height) | D: Mounting hardware
M: With
Ø: Without |
| B: Door frame material
C: Stainless Steel (1.4301)
Ø: Painted Mild Steel | E: Barrier Guard
G: With
Ø: Without |
| C: Temperature range
H: max. 205°C
(Nitrile rubber 65 shore)
Ø: Standard (up to 177°C)
(Standard rubber 65 shore) | |

Martin® Steel Inspection Door



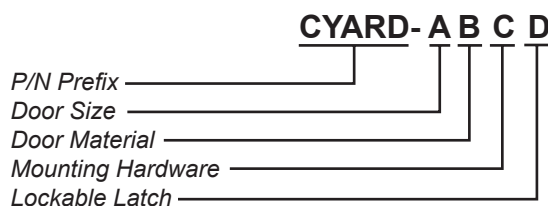
- | | |
|---|--|
| A: Door size*
Approximate door size in inches (width x height) | D: Mounting hardware
M: With
Ø: Without |
| B: Door seal type
HT: High-Temp
ØØ: Standard | E: Lockable latch
L: Lockable
Ø: Standard |
| C: Door material
C: Stainless Steel (1.4301)
Ø: Painted Mild Steel | F: Barrier Guard
G: With
Ø: Without |

Martin® Extended-Height Steel Inspection Door



- | | |
|--|--|
| A: Door size*
Approximate door size in inches (width x height) | D: Lockable Latch
L: Lockable
Ø: Standard |
| B: Door Frame Band Height
Height in inches from 3" (76 mm) to 12" (305 mm)
Max height for 0912, 1214, and 1218 doors is 8" (203 mm) | E: Mounting hardware
M: With
Ø: Without |
| C: Door Material
C: Stainless Steel (1.4301)
Ø: Painted Mild Steel | F: Barrier Guard
G: With
Ø: Without |

Martin® Round Steel Inspection Door



- | | |
|---|--|
| A: Door size
Approximate door size in inches (diameter) | C: Mounting hardware
M: With
Ø: Without |
| B: Door material
C: Stainless Steel (1.4301)
S: Stainless Steel (1.4571)
Ø: Painted Mild Steel | D: Lockable latch
L: Lockable
Ø: Standard |

TECHNICAL DATA SHEET

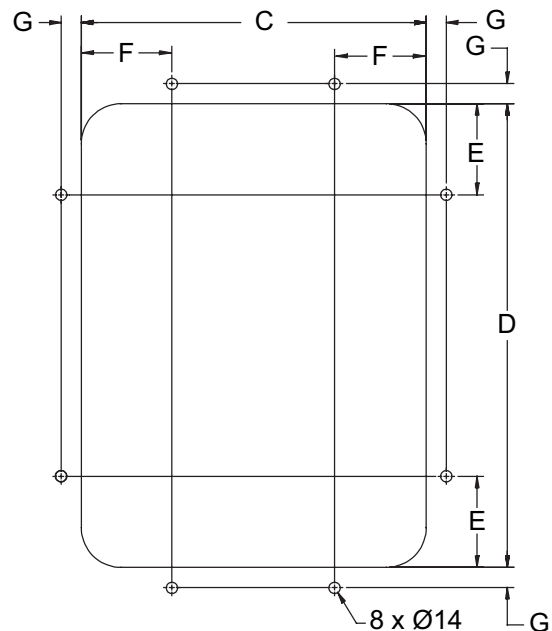
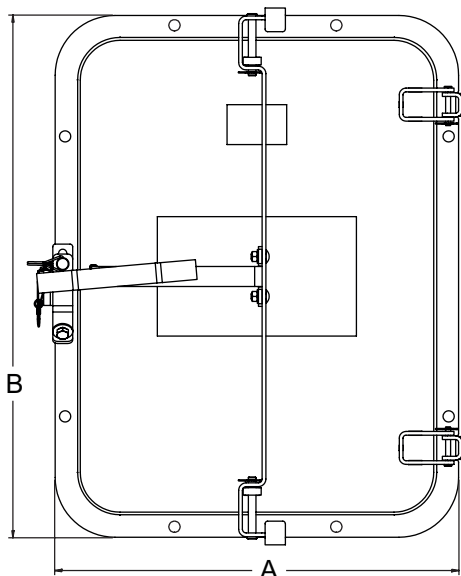
DIMENSIONS IN MM

Martin® Rubber Inspection Door*					
	CYAR-0912	CYAR-1214	CYAR-1218	CYAR-1824	CYAR-2424
"A"	286	368	360	514	659
"B"	365	419	514	665	659
"C"	222	305	297	451	595
"D"	302	356	451	607	595
"E"	71	71	71	122	122
"F"	71	71	71	122	122
"G"	19	19	19	19	19

*Martin® Rubber Inspection Doors should only be used when belt cleaner mainframe is required to extend through the door.

Martin® Steel Inspection Door								
	CYA-0912	CYA-1212	CYA-1214	CYA-1218	CYA-1812	CYA-1814	CYA-1818	CYA-1824
"A"	286	360	360	360	514	514	514	514
"B"	365	365	413	514	360	413	514	665
"C"	210	289	284	284	438	438	438	438
"D"	289	289	337	438	284	337	438	589
"E"	65	65	65	65	65	65	65	116
"F"	65	65	65	65	65	65	65	116
"G"	25	25	25	25	25	25	25	25

	CYA-2020	CYA-2030	CYA-2418	CYA-2424	CYA-2436	CYA-3018	CYA-3030	CYA-3636
"A"	565	597	672	665	665	851	851	1003
"B"	565	851	521	665	1003	521	851	1003
"C"	489	514	589	583	583	768	768	921
"D"	489	768	438	583	921	438	768	921
"E"	116	116	65	116	116	65	116	116
"F"	116	116	116	116	116	116	116	116
"G"	25	25	25	25	25	25	25	25

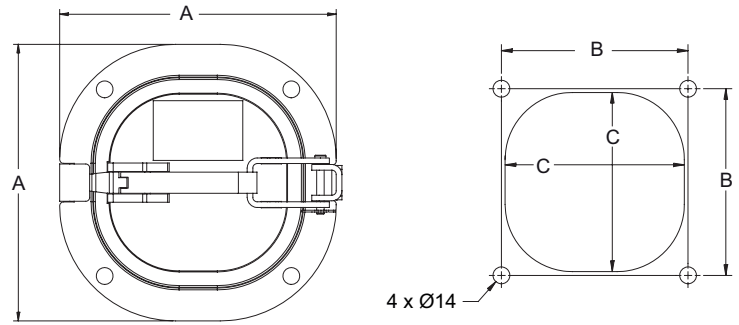


TECHNICAL DATA SHEET

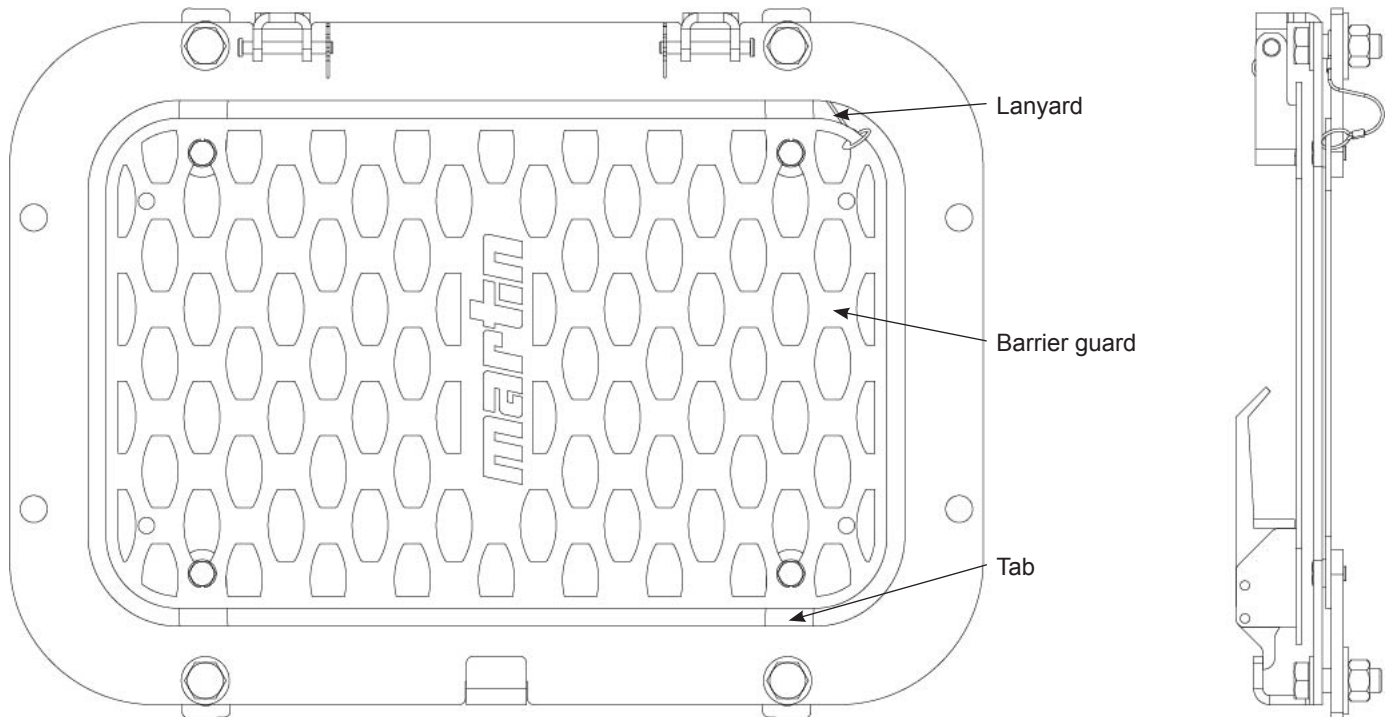
MARTIN® ROUND STEEL INSPECTION DOOR

DIMENSIONS IN MM

	CYARD-4XXX	CYARD-6XXX	CYARD-8XXX
"A"	197	235	286
"B"	133	159	197
"C"	114	152	203



OPTIONAL - BARRIER GUARD FOR RUBBER AND STEEL DOOR (SHOWN WITH STEEL DOOR)



Barrier guard inside frame opening. Adjust tabs to fit holes at edge of guard. Tabs may be mounted at sides as shown or on the top and bottom. Installation is the same on rubber and steel door.

Lanyard is to be fastened to the edge of lanyard to be attached to the tab bolt thru inside of door frame.



Martin Engineering GmbH
 In der Rehbach 14
 D-65396 Walluf, Germany
 Ph. +49 (0)6123 97820
 Fax +49 (0)6123 75533
 info@martin-eng.de | www.martin-eng.de

Subject to change without prior notice
 Quality management system certified according DNV - ISO 9001



Problem Solved™ GUARANTEED!

Form No. L3432UK-12/13
 © Martin Engineering Company 1998, 2013