

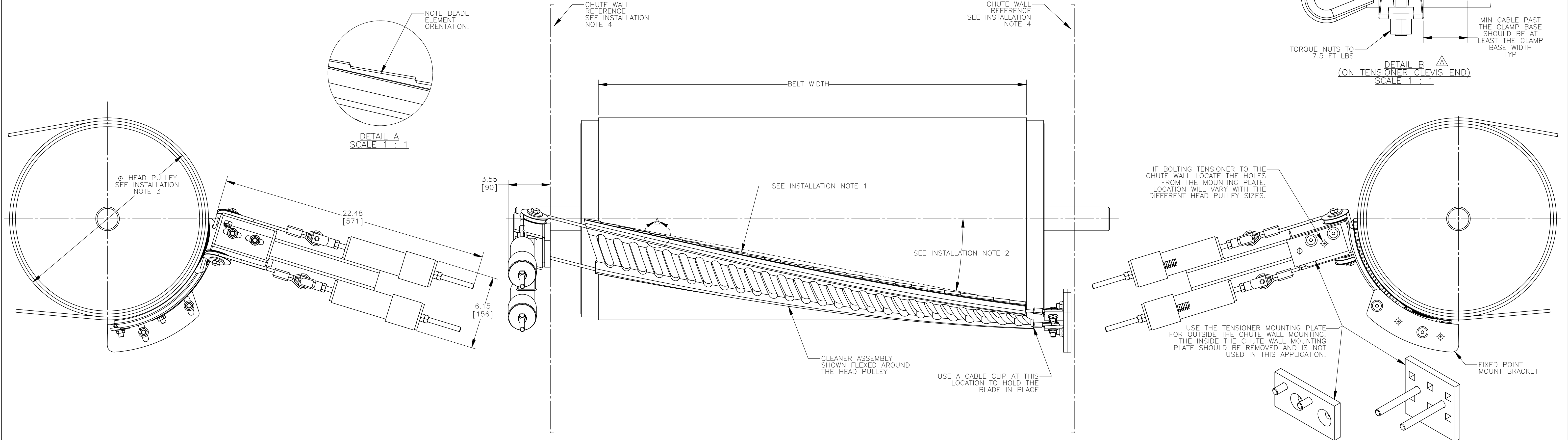
S50110-S		
(PART NUMBER FIRST FOUR XXXX'S) BELT WIDTH / NUMBER OF ELEMENTS		
PART NO.	DIM "A"	# ELEMENTS
CSP-S-1209XX-XXXX	12.37	9
CSP-S-1814XX-XXXX	19.26	14
CSP-S-2418XX-XXXX	24.77	18
CSP-S-2619XX-XXXX	26.15	19
CSP-S-3023XX-XXXX	31.66	23
CSP-S-3627XX-XXXX	37.17	27
CSP-S-4232XX-XXXX	44.06	32
CSP-S-4836XX-XXXX	49.57	36
CSP-S-5440XX-XXXX	55.08	40

(PART NUMBER 5TH X) BLADE TYPE		
PART NO.	APPLICATION	
CSP-S-XXXX1X-XXXX	STANDARD VERSION, SUITABLE FOR LESS ABRASIVE MATERIALS AND LOW BELT SPEEDS, ALLOWED FOR MECHANICAL SPLICES	
CSP-S-XXXX2X-XXXX	MODERATE VERSION, SUITABLE FOR ABRASIVE MATERIALS AND MEDIUM BELT SPEEDS, ALLOWED FOR MECHANICAL SPLICES	
CSP-S-XXXX3X-XXXX	SEVERE VERSION, SUITABLE FOR HIGHLY ABRASIVE MATERIALS AND HIGH BELT SPEEDS, NOT ALLOWED FOR MECHANICAL SPLICES	
CSP-S-XXXX4X-XXXX	EXTREME VERSION, SUITABLE FOR EXTREMELY ABRASIVE MATERIALS AND HIGHEST BELT SPEEDS, NOT ALLOWED FOR MECHANICAL SPLICES	
CSP-S-XXXX5X-XXXX	STANDARD/MODERATE VERSION, SUITABLE FOR ABRASIVE MATERIALS AND LOW/MEDIUM BELT SPEEDS, ALLOWED FOR MECHANICAL SPLICES, HAS CHEMICAL RESISTANCE	

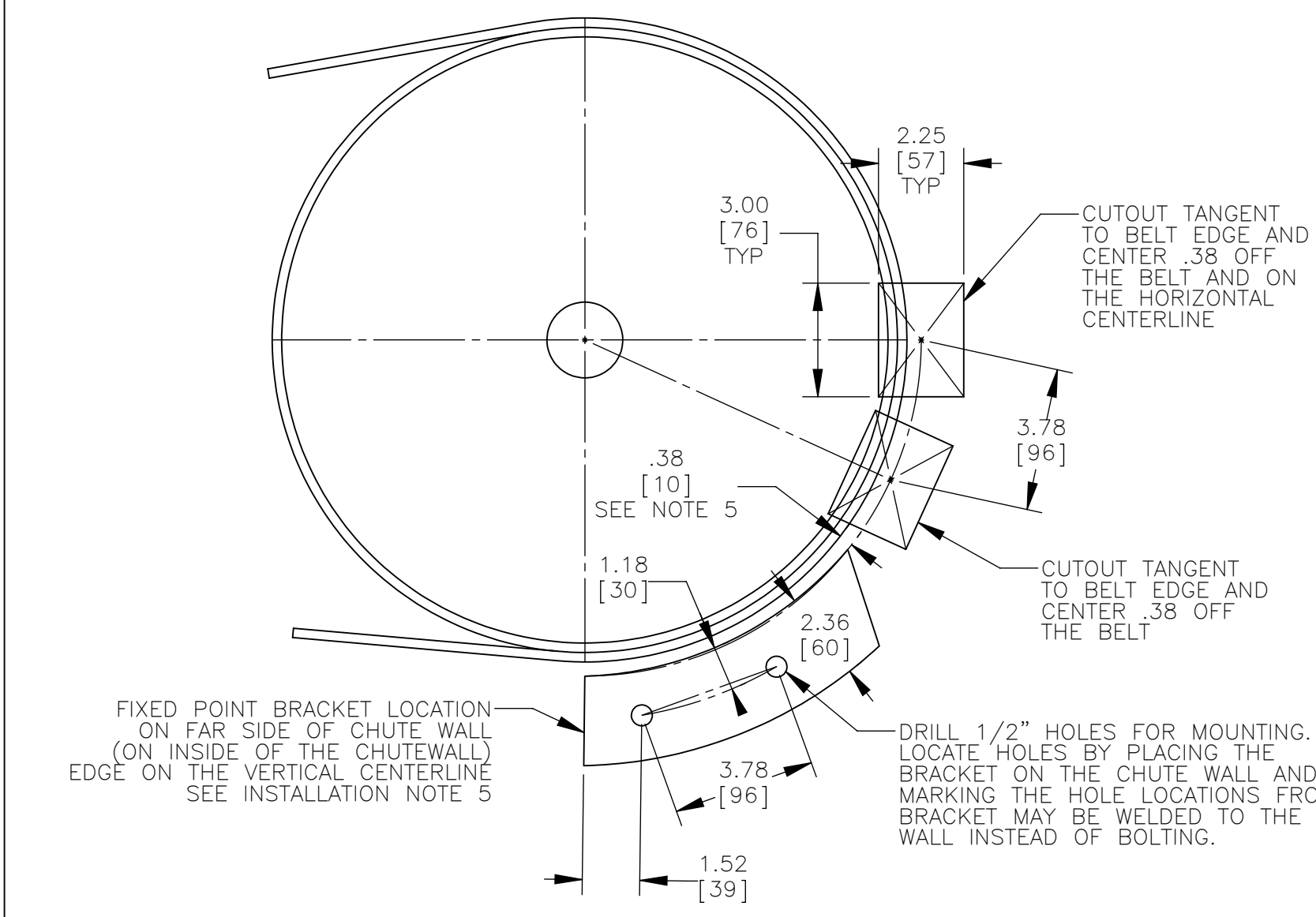
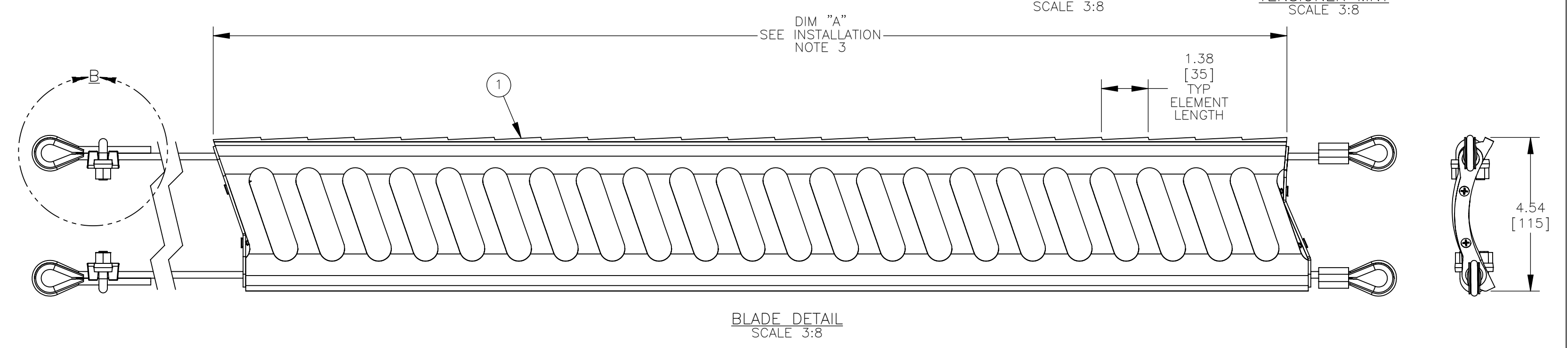
(PART NUMBER 6TH X) TYPE OF SWAGE SLEEVES	
PART NO.	TYPE OF SWAGE SLEEVES
CSP-S-XXXXX-XXXX	ALUMINUM SWAGE SLEEVES
CSP-S-XXXXXC-XXXX	COPPER SWAGE SLEEVES

(PART NUMBER LAST FOUR XXXX'S) TENSIONER / INSTALLATION KIT	
PART NO.	TENSIONER SIZE / MOUNT BRACKET
CSP-S-XXXXXX-T1	STANDARD STEEL TENSIONER AND FIXED POINT MOUNT BRACKET
CSP-S-XXXXXX-T1C	STAINLESS STEEL TENSIONER AND FIXED POINT MOUNT BRACKET
CSP-S-XXXXXX-T2	MULTIFUNCTIONAL STEEL TENSIONER AND FIXED POINT MOUNT BRACKET
CSP-S-XXXXXX-T2C	MULTIFUNCTIONAL STAINLESS STEEL TENSIONER AND FIXED POINT MOUNT BRKT

ITEM	QTY.	DESCRIPTION	PART NUMBER
1	1	MARTIN CLEANSRAPE CLEANER ASSEMBLY	SEE CHARTS



- INSTALLATION NOTES:
- 1) BLADE CARBIDE SCRAPPERS ARE MOLDED INTO THE RUBBER BODY AT AN ANGLE, CREATING A SERRATED CLEANING EDGE. CLEANER MUST BE MOUNTED AT AN ANGLE AS SHOWN. CLEANER MUST NOT LIE IN THE MATERIAL PATH.
 - 2) THE IDEAL INSTALLATION ANGLE IS BETWEEN 14 AND 17°. ANGLES FROM 10° TO 22° ARE ACCEPTABLE.
 - 3) BELT WIDTH MUST NOT EXCEED A RATIO OF 3:1 TO THE HEAD PULLEY DIAMETER. HEAD PULLEY RANGE IS 12" MIN. TO 20" MAX.
 - 4) CHUTE WALLS MUST BE STRONG ENOUGH TO NOT FLEX WHEN THE CLEANER IS TENSIONED. ADDITIONAL CHUTE WALL STRUCTURE MAY BE REQUIRED TO PREVENT CHUTE WALL FROM FLEXING.
 - 5) LOCATE AND INSTALL THE FIXED POINT MOUNT BRACKET ON THE INSIDE OF THE FAR SIDE CHUTE WALL. MEASURE THE HEAD PULLEY RADIUS PLUS THE LAGGING, BELT THICKNESS, AND ADD THE .38". THIS IS THE RADIUS ARC THAT THE FIXED POINT BRACKET WILL BE LOCATED ON. ALSO LOCATE THE FIXED POINT BRACKET EDGE ON THE VERTICAL CENTERLINE (AT 6:00 O'CLOCK POSITION). MARK THE HOLE LOCATIONS FROM THE FIXED POINT BRACKET AND DRILL THE MOUNTING HOLES (IF NOT WELDING IN PLACE). BOLT THE FIXED POINT BRACKET TO THE INSIDE OF THE CHUTE WALL.
 - 6) ON THE OPERATORS SIDE OF THE CHUTE WALL, MARK THE LOCATION OF THE TENSIONER CUTOUTS. SEE THE CUTOUT DETAIL. WELD THE TENSIONER MOUNT BRACKET TO THE CHUTE WALL POSITIONED SO THE CLEANER CABLES GO THROUGH THE APPROXIMATE CENTER OF THE CUTOUTS. BOLT THE TENSIONERS TO THE TENSIONER MOUNT BRACKET. LEAVE THE ADJUSTMENT BOLTS LOOSE AT THIS TIME.
 - 7) MEASURE THE APPROXIMATE CABLE LENGTH AND ASSEMBLE THE CABLE THIMBLES AND CLAMPS TO THE TENSIONER END OF THE BLADE ASSEMBLY. INSTALL CLEANER TO THE FIXED POINT BRACKET. LEAVE THE ADJUSTMENT BOLTS LOOSE AT THIS TIME. HOLD THE CLEANER TO THE HEAD PULLEY AND ROUTE THE CABLES THROUGH THE CHUTE WALL AND HOOK ONTO THE TENSIONER. TIGHTEN THE TENSIONER ADJUSTMENT NUTS UNTIL THE CLEANER IS HELD FIRMLY AGAINST THE HEAD PULLEY. ADJUST THE FIXED POINT BRACKET AND TENSIONER BRACKET SO THE OUTER TWO ELEMENTS ON EACH SIDE OF THE CLEANER ARE APPROXIMATELY 1/8" AWAY FROM THE BELT. TIGHTEN ALL BOLTS.
 - 8) TENSION THE CLEANER PER THE RECOMMENDED TENSION IN THE MANUAL.



TENSIONER CHUTE CUTOUTS AND FIXED POINT BRACKET LOCATION
SCALE 1:4

- NOTES:
- 1) ALL DIMENSIONS ARE GIVEN IN INCHES [MM].
 - 2) ALL DIMENSIONS ARE FOR REFERENCE ONLY.
 - 3) IN THE BLADE ASSEMBLY PART NUMBER:
THE FIRST XX INDICATES BLADE WIDTH
THE NEXT XX INDICATES NUMBER OF ELEMENTS IN BLADE
THE NEXT X INDICATES BLADE CARBIDE TYPE.
THE NEXT X INDICATES IF COPPER SWAGE SLEEVES ARE REQUIRED.
BLANK = ALUMINUM SWAGE SLEEVES
C = COPPER SWAGE SLEEVES
THE NEXT XXX INDICATES IF INSTALLATION KIT IS INCLUDED.
T1 = STANDARD STEEL SPRING TENSIONER
T1C = STAINLESS STEEL SPRING TENSIONER
T2 = MULTIFUNCTIONAL STEEL SPRING TENSIONER
T2C = MULTIFUNCTIONAL STAINLESS STEEL SPRING TENSIONER

NO.	DESCRIPTION	ECN	DATE	BY
C	ADDED P/N CSP-S-2619XX-XXXX TO CHART (PR13309)	----	11/15/16	RND
B	ADDED P/N CSP-S-5440XX-XXXX TO CHART (PR13169)	----	03/08/16	RND
A	ADDED TENSIONER MNT PLATE DETAILS, ADDED DETAIL B	14455	01/26/16	RND

SALES DRAWING		REVISION	
MD0873	S50110-S	SCALE	1:4

Copyright 2015 Martin Engineering. All rights reserved. Covered by U.S. and foreign patents pending and issued. ® and TM indicate trademarks of Martin Engineering.

MARTIN ENGINEERING-USA
NEPONSET, IL USA

M

TITLE	CLEANSRAPE SMALL CLEANER ASM WITH OUTSIDE THE CHUTE WALL TENSIONER	DRAWN	RND
DATE	07/24/15	CHECKED	7.47
DATE	07/24/15	APPROVED	2.4
DATE	07/24/15	SCALE	1:4