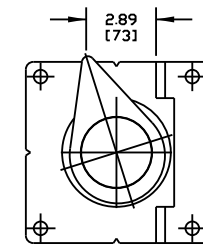


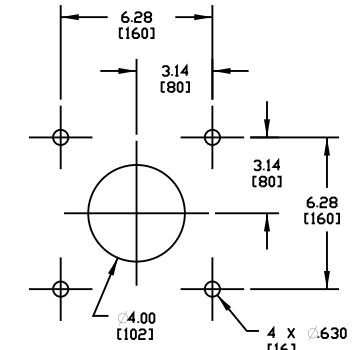
ASSEMBLY PART NUMBER	DIM "A" BLADE WIDTH	DIM "B" MNFRM WIDTH	DIM "C" MAX MNFRM WIDTH	TENSIONER P/N ITEM 2
36287-60XXXXXX	54.00 [1372]	59.00 [1499]	98.00 [2489]	36437-D90X
36287-66XXXXXX	60.00 [1524]	65.00 [1651]	104.00 [2642]	36437-D90X
36287-72XXXXXX	66.00 [1676]	71.00 [1803]	110.00 [2794]	36437-D150X
36287-84XXXXXX	78.00 [1981]	83.00 [2108]	122.00 [3099]	36437-D150X
36287-96XXXXXX	90.00 [2286]	95.00 [2413]	134.00 [3404]	36437-D150X

ITEM	QTY.	DESCRIPTION	PART NUMBER
1	1	ZHD 800 PRE CLEANER ASM	36287-XXXXXX
2	1	SPRING LINK TENS ASM (DUAL MNT)	35978-DXXXX

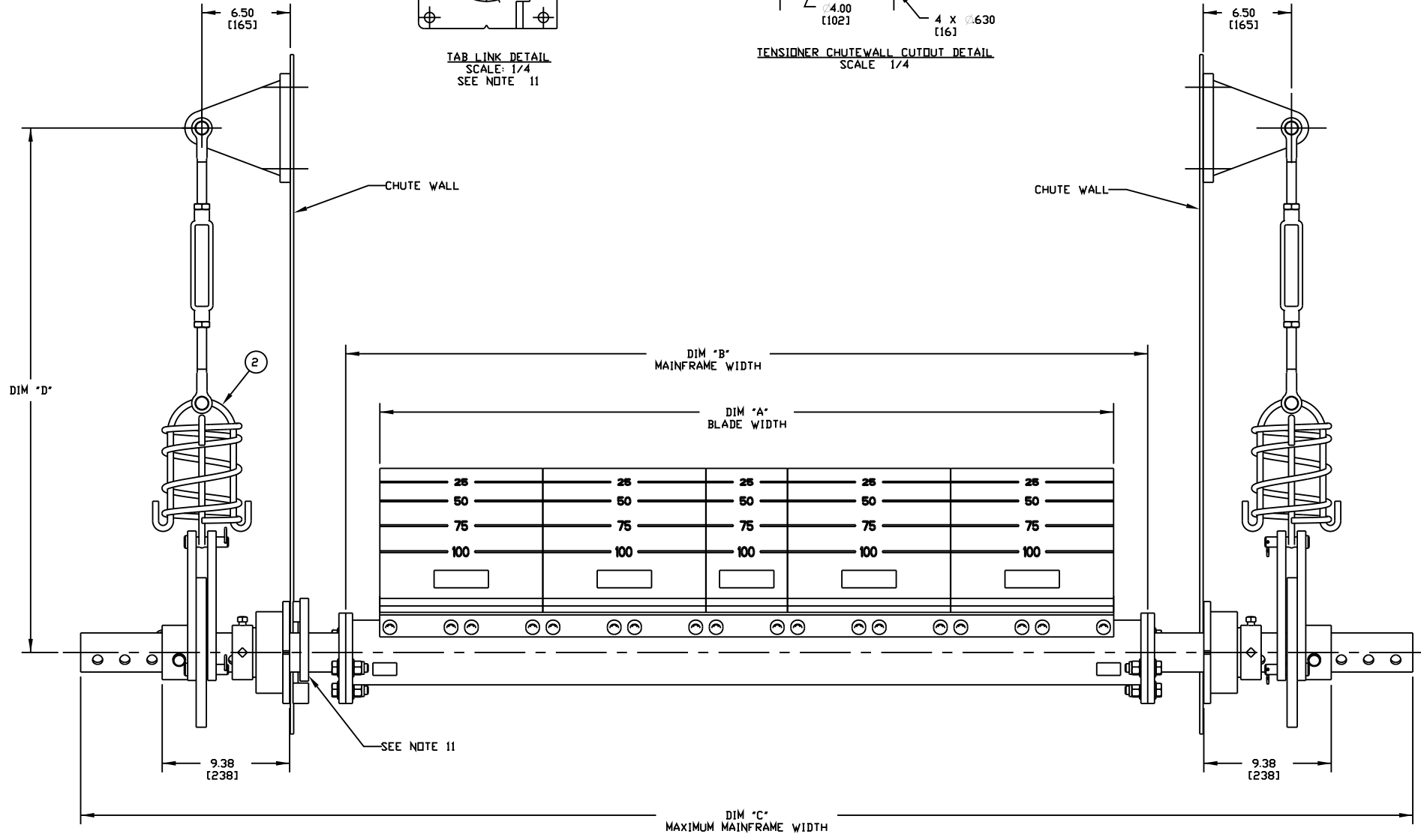
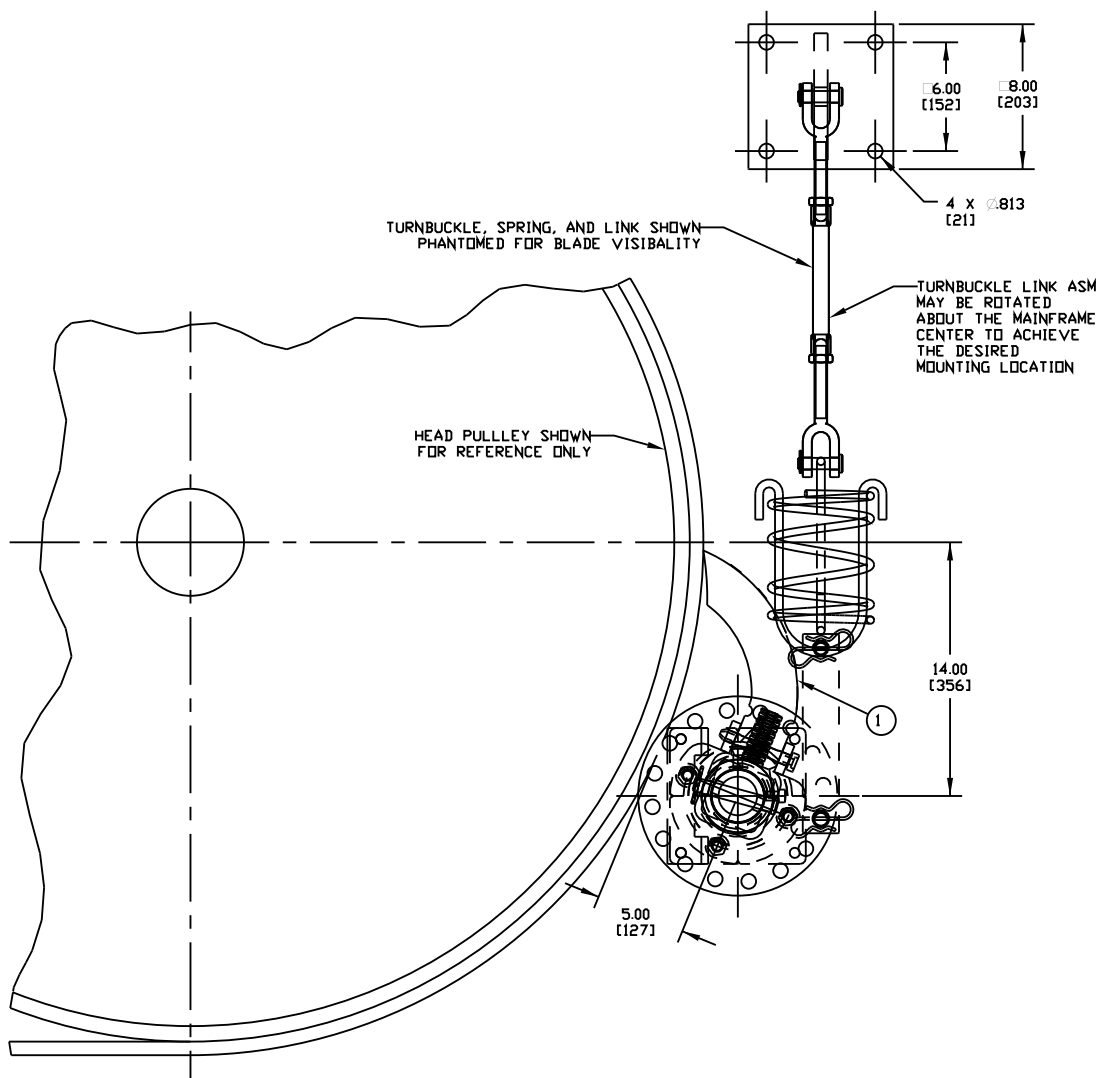
TENSIONER PART NUMBER	DIM "D" MOUNTING HEIGHT
35978-D90X	41.25 [1048]
35978-D150X	42.25 [1073]
35978-D500X	45.59 [1158]
35978-D750X	47.00 [1194]



TAB LINK DETAIL
SCALE: 1/4
SEE NOTE 11



TENSIONER CHUTEWALL CUTOUT DETAIL
SCALE: 1/4



NOTES:
 1) ALL DIMENSIONS ARE GIVEN IN INCHES [MM].
 2) ALL DIMENSIONS ARE FOR REFERENCE ONLY.
 3) THE FIRST TWO XX'S INDICATES THE BELT WIDTH. THE NEXT X INDICATES BLADE TYPE (NARROW & WIDE BLADES=BLANK, NARROW BLADES=V). THE NEXT XX INDICATES BELT COVERAGE (STANDARD BELT WIDTH -6"=BLANK, OR 6" INCREMENTS=XX). THE NEXT X INDICATES BLADE COLOR (ORANGE=BLANK, BROWN=B, GREEN=G, CLEAR=C, NAVY BLUE=N). THE NEXT X INDICATES TENSIONER (NO TENSIONER=BLANK, LINK TENSIONER=L, SPRING TENSIONER=S). THE NEXT X INDICATES BEARING TYPE (STANDARD DUTY BEARING=BLANK, HEAVY DUTY BRONZE METAL BEARING=M). THE LAST X INDICATES CABLE EXPANDER (NO CABLE CONNECTION KIT=BLANK, CABLE CONNECTION KIT=K). THE CABLE EXPANDER IS ONLY USED ON THE LINK TENSIONER.
 P/N EXAMPLE:
 36287-24NBLMK = 24.00 BELT, ALL NARROW BLADES, STANDARD BELT COVERAGE, BROWN BLADES, LINK TENSIONER, BRONZE METAL BEARING & CABLE CONNECTION KIT.

NOTES (CONT'D):
 4) WHERE EXTREME OR UNUSUAL CONDITIONS EXIST, OR SPECIAL MAINFRAME LENGTHS ARE REQUIRED, CONTACT MARTIN.
 5) BLADE COVERAGE WILL BE LESS THAN BELT WIDTH DUE TO POSSIBLE MISTRACKING OR DAMAGED EDGES OF BELT.
 6) REQUIRED EFFECTIVE HEAD PULLEY DIAMETERS (HEAD PULLEY + LAGGING + BELT THICKNESS) ARE 32.00 [813] MINIMUM THRU 38.00 [965] MAXIMUM FOR THE ZHD 800.
 7) FRAME LENGTH IS SUPPLIED LONGER THAN REQUIRED, CUT IN FIELD TO DESIRED LENGTH.
 8) TENSIONER ASSEMBLY MAY BE BOLTED OR WELDED IN PLACE. MARTIN ENGINEERING RECOMMENDS BOLTING WHEN APPLICABLE FOR EASIER MAINTENANCE AND ACCESSIBILITY.
 9) REFER TO OPERATOR'S MANUAL'S, FOR INSTALLATION AND TENSIONING INSTRUCTIONS.
 10) CLEANERS ARE SHOWN IN RECOMMENDED POSITIONS.
 11) FIELD WELD TAB TO MAINFRAME. TAB NOT TO GO BEYOND OUTSIDE EDGE OF TENSIONER STOP.

Copyright 2004 Martin Engineering. All rights reserved. Covered by US and Foreign patents pending and issued. ® and TM indicate trademarks of Martin Engineering.

MARTIN ENGINEERING-USA
NEPONSET, IL USA

TITLE: ZHD 800 PRE-CLEANER WITH DUAL SPRING LINK TENSIONER

NO. DESCRIPTION ECN DATE BY SALES DRAWING

REVISION

W00741 S50055-D

DRAWN MJB DATE 10/23/07
 CHECKED
 ENG. RND DATE 10/29/07
 APPROVED T.J.G. DATE 10/30/07
 SCALE 3/16

