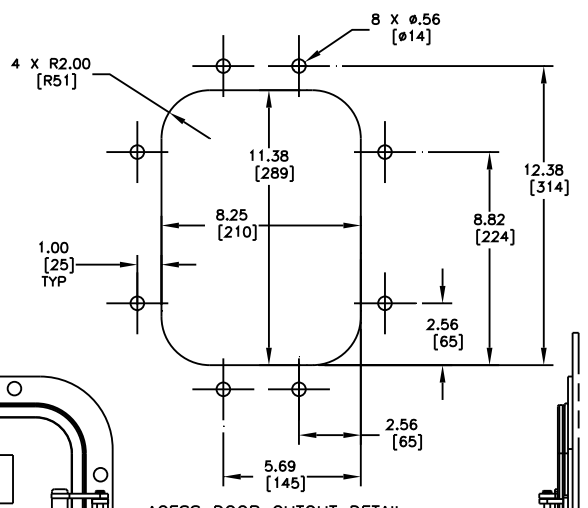


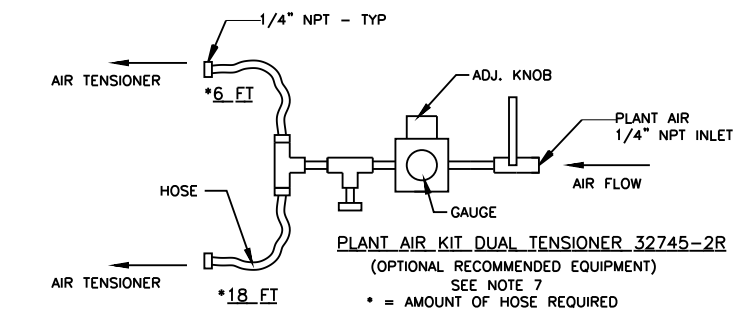
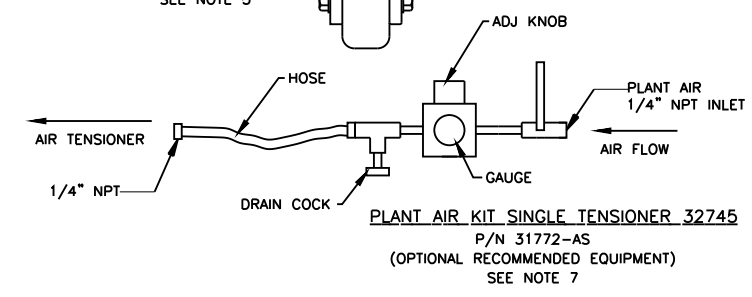
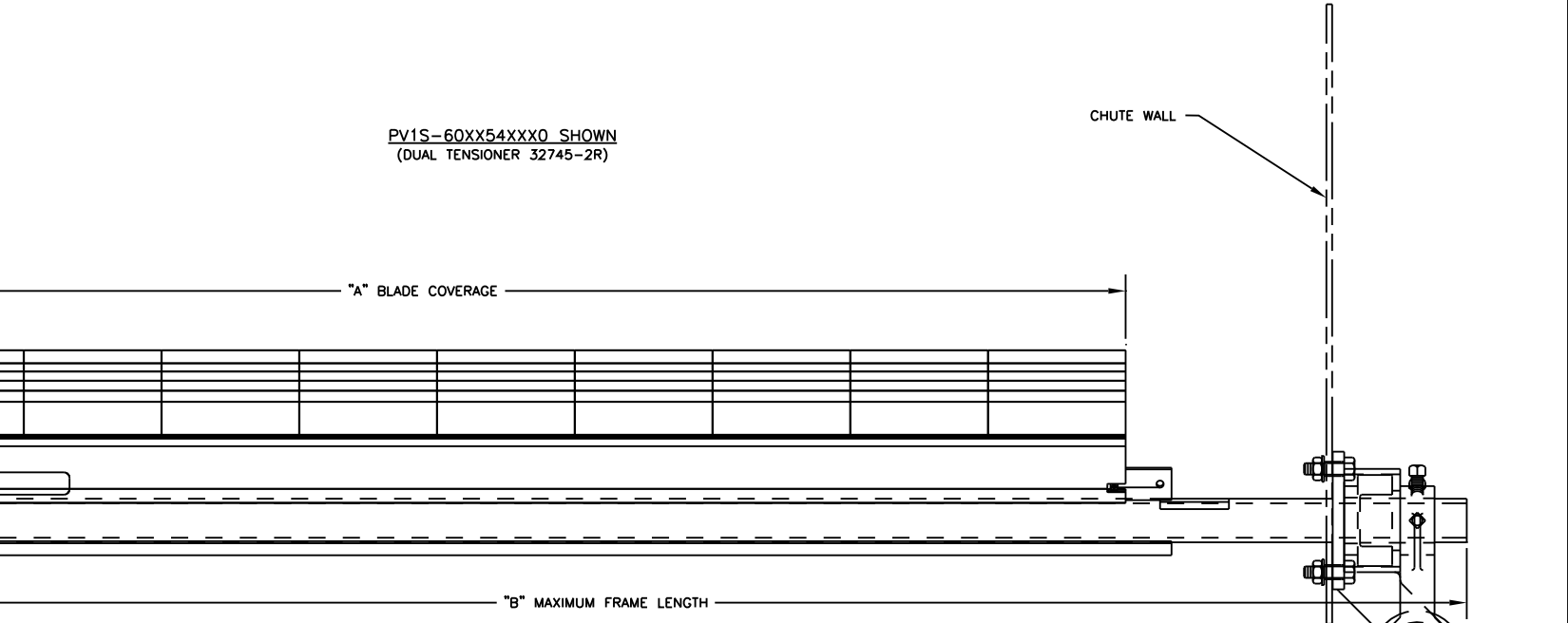
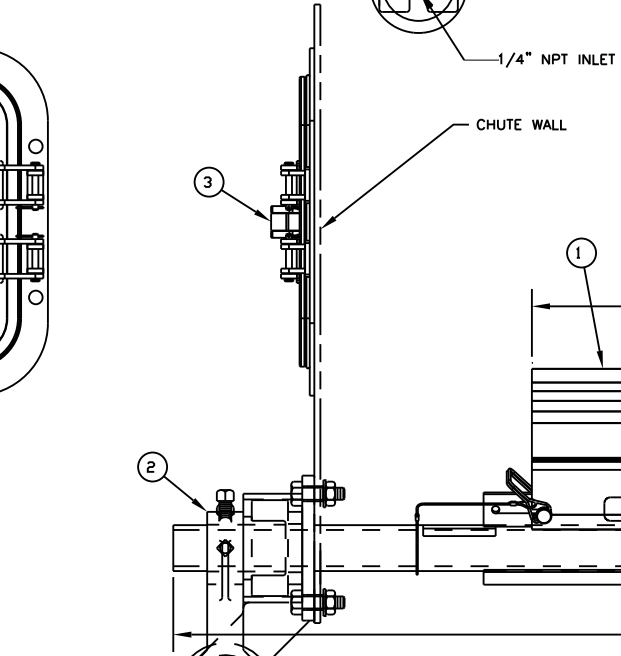
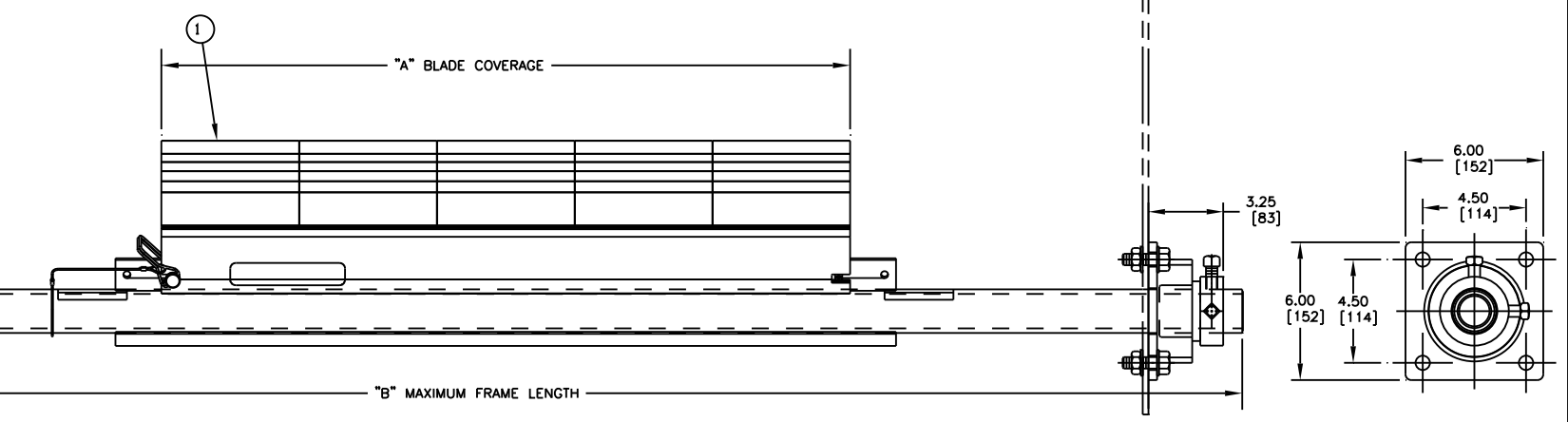
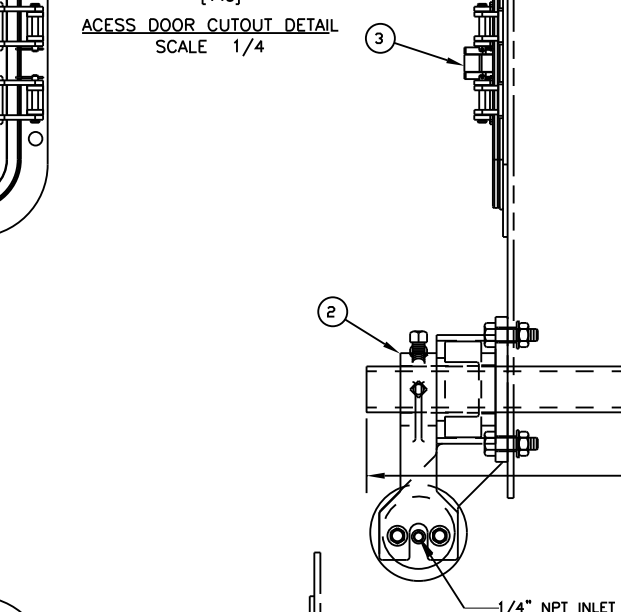
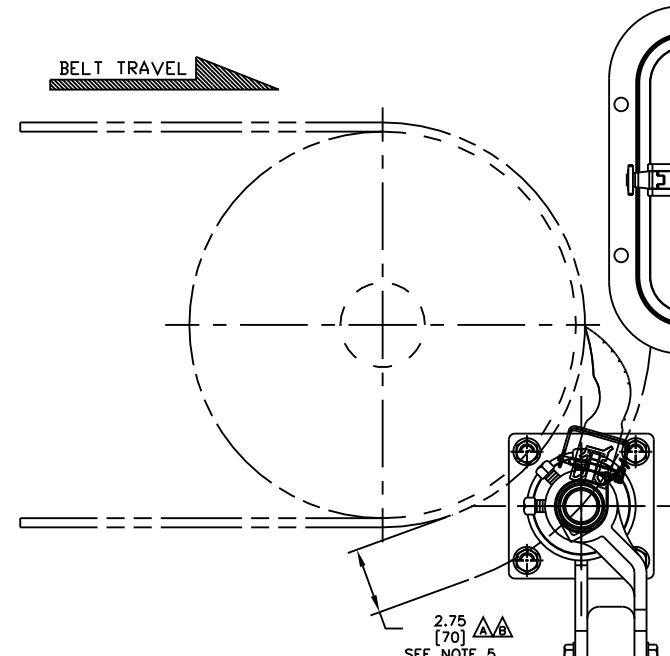
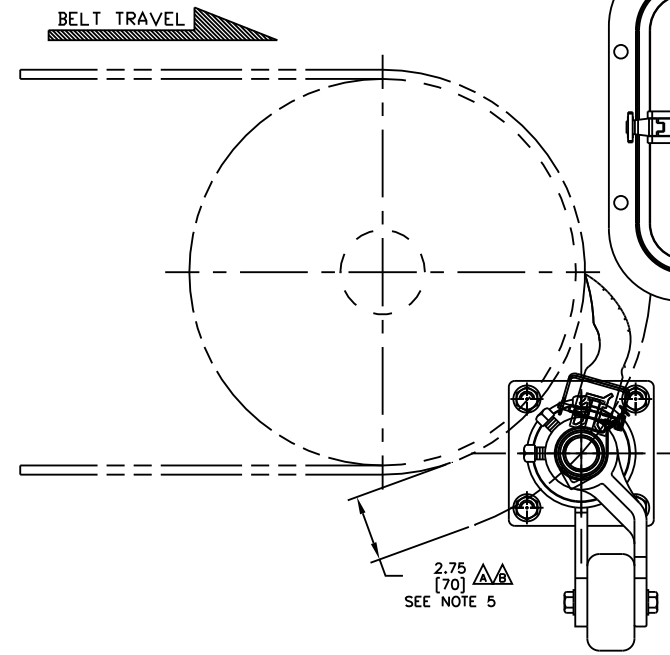
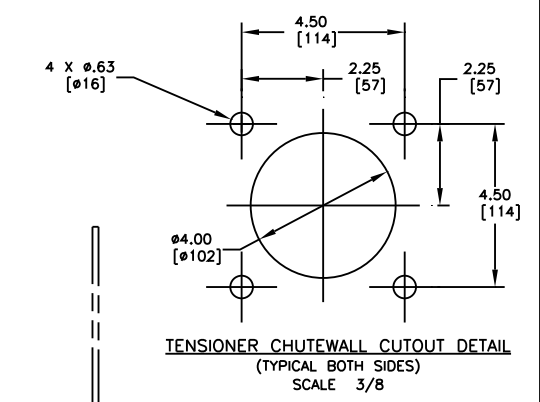
PART NO.	DIM "A" BLADE LENGTH	DIM "B" MNFRM LENGTH	P/N ITEM 2
PV1S-18X12XXXX	12.00 [305]	48.00 [1219]	32745
PV1S-18X16XXXX	16.00 [406]	48.00 [1219]	32745
PV1S-24X18XXXX	18.00 [457]	54.00 [1372]	32745
PV1S-24X22XXXX	22.00 [559]	54.00 [1372]	32745
PV1S-30X24XXXX	24.00 [610]	60.00 [1524]	32745
PV1S-30X28XXXX	28.00 [711]	60.00 [1524]	32745
PV1S-36X30XXXX	30.00 [762]	66.00 [1676]	32745
PV1S-36X34XXXX	34.00 [864]	66.00 [1676]	32745
PV1S-42X36XXXX	36.00 [914]	72.00 [1829]	32745
PV1S-42X40XXXX	40.00 [1016]	72.00 [1829]	32745
PV1S-48X42XXXX	42.00 [1067]	78.00 [1981]	32745
PV1S-48X46XXXX	46.00 [1168]	78.00 [1981]	32745
PV1S-54X48XXXX	48.00 [1219]	84.00 [2134]	32745-2R
PV1S-54X52XXXX	52.00 [1321]	84.00 [2134]	32745-2R
PV1S-60X54XXXX	54.00 [1372]	90.00 [2286]	32745-2R
PV1S-60X58XXXX	58.00 [1473]	90.00 [2286]	32745-2R
PV1S-66X60XXXX	60.00 [1524]	96.00 [2438]	32745-2R
PV1S-72X66XXXX	66.00 [1676]	102.00 [2591]	32745-2R
PV1S-72X70XXXX	70.00 [1778]	102.00 [2591]	32745-2R



- NOTES:
- 1) ALL DIMENSIONS ARE GIVEN IN INCHES [MM] AND ARE FOR REFERENCE ONLY.
 - 2) WHERE EXTREME OR UNUSUAL CONDITIONS EXIST, OR SPECIAL MAINFRAME LENGTHS ARE REQUIRED, CONTACT MARTIN.
 - 3) THE PV1S PRECLEANER BLADES ARE DESIGNED TO REMOVE HEAVY CARRYBACK ONLY. DO NOT OVERTENSION.
 - 4) BLADE COVERAGE WILL BE LESS THAN BELT WIDTH DUE TO POSSIBLE MISTRACKING OR DAMAGED EDGES OF BELT.
 - 5) CLEANER CAN BE LOCATED ANYWHERE ALONG THE 2.75 [70] ARC AS LONG AS THE BLADE TIP IS BELOW THE HORIZONTAL CENTERLINE. THE CLEANER IS SHOWN IN THE RECOMMENDED POSITION.
 - 6) TENSIONER ASSEMBLY MAY BE BOLTED OR WELDED IN PLACE. MARTIN ENGINEERING RECOMMENDS BOLTING WHEN APPLICABLE FOR EASIER MAINTENANCE AND ACCESSIBILITY.
 - 7) PLANT AIR KIT (P/N 31772-AS FOR SINGLE TENSIONER AND P/N 33252 FOR DUAL TENSIONER) (SHOWN) AND AVAILABLE AS OPTIONAL RECOMMENDED EQUIPMENT.
 - 8) REFER TO OPERATOR'S MANUAL'S, FOR INSTALLATION AND TENSIONING INSTRUCTIONS.

- NOTES CONTINUED:
- 9) IN THE PV1S-XX11XXXXXX PART NUMBER:
 - THE PV1S INDICATES A STANDARD DUTY PRE-CLEANER.
 - THE FIRST TWO XX'S INDICATE BELT WIDTH.
 - THE NEXT TWO XX'S INDICATE THE BLADE TYPE.
 - 11 = SOLID BLADE
 - 10 = SEGMENTED BLADE
 - THE NEXT TWO XX'S INDICATE THE BLADE COVERAGE:
 - 00 = NO BLADE
 - 01 = 10% BLADE COVERAGE
 - 02 = 20% BLADE COVERAGE
 - 03 = 30% BLADE COVERAGE
 - 04 = 40% BLADE COVERAGE
 - 05 = 50% BLADE COVERAGE
 - 06 = 60% BLADE COVERAGE
 - 07 = 70% BLADE COVERAGE
 - 08 = 80% BLADE COVERAGE
 - 09 = 90% BLADE COVERAGE
 - THE NEXT TWO XX'S INDICATE THE BLADE URETHANE TYPE:
 - 00 = NO BLADE
 - BR = BROWN BLADE
 - CL = TAN BLADE
 - GR = GREEN BLADE
 - NB = NAVY BLUE BLADE
 - OR = ORANGE BLADE
 - THE NEXT X INDICATES THE MAINFRAME TYPE:
 - 0 = NO MAINFRAME
 - P = STANDARD PAINTED MAINFRAME
 - THE LAST X INDICATES THE ACCESSORY OPTIONS:
 - 0 = NO OPTIONS

ITEM	QTY.	DESCRIPTION	PART NUMBER
1	1	MARTIN PV PERFORMANCE DUTY CLEANER	PV1S-XXXXXXXXXX
2	1	MARTIN AIR BAG TENSIONER ASM	SEE CHART
3	1	MARTIN LOW PROFILE STL DOOR 9X12	CYA-0912



NO.	DESCRIPTION	ECN	DATE	BY
B	CHGD DIM FROM 2.75-3.00 TO 2.75 ON ARC AND IN NOTE / ADDED P/N PV1S-66XX60XXXX TO CHART	14530	04/08/16	JAH
A	CHGD DIM FROM 3.00 TO 2.75-3.00 ON ARC AND IN NOTE	14166	03/05/15	JAH

Copyright 2013 Martin Engineering. All rights reserved. Covered by U.S. and foreign patents pending and issued. ® and TM indicate trademarks of Martin Engineering.

MARTIN ENGINEERING-USA
NEPONSET, IL USA

TITLE: MARTIN PV PERFORMANCE DUTY W/AIR BAG TENSIONER & 9 X 12 ACCESS DOOR

SALES DRAWING: S50093-A

NO. M00854

AutoCAD

REVISION

DRAWN RND: DATE 06/19/13

CHECKED: ENG. JAH DATE 06/20/13

APPROVED: DATE 06/21/13

SCALE 1/4

