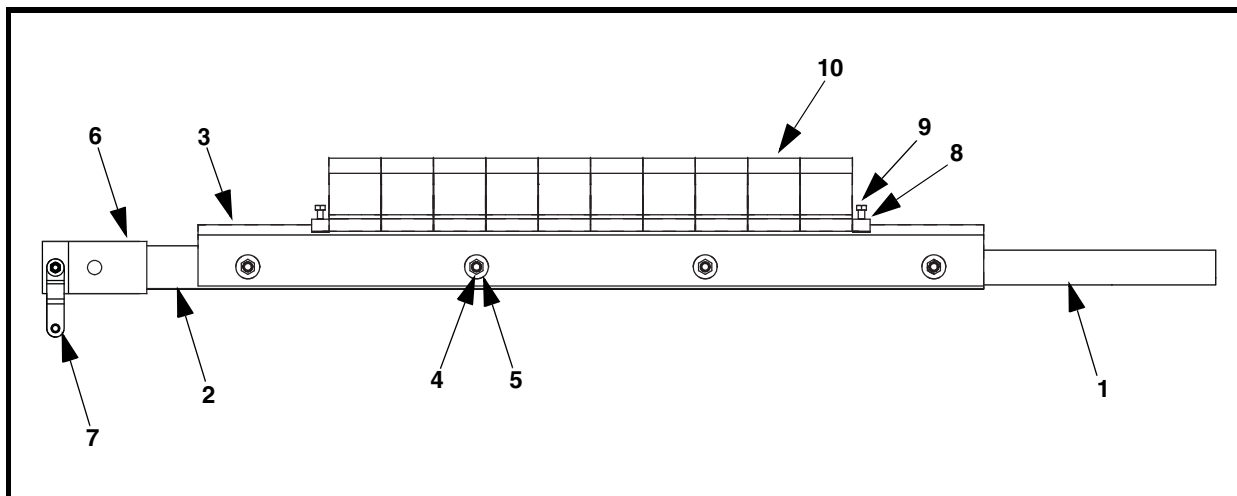




Martin® DT2 Inline Cleaner Replacement Parts List



Martin® DT2 Inline Cleaner, P/N DT2S-XXXXXXXXXX

Item	Description	Part No.
1	Frame Mandrel	37714-XX
2	Split-Track Mainframe Weldment	37717-XX
3	Split Frame	34423-XX
4	Flat Washer	17328
5	Elastic Lock Nut	18577
6	End Cap	37705
7	Handle Weldment	36313
8	End Stop	30386-X
9	Cap Screw	37036
10	Blade	See Table Below
—	Blade Cartridge	DT2SC-XXXXXXXXXX

Blade Type	Part No. Item 10
Inline Tungsten Carbide	36316-TXX
Inline Tungsten Carbide with SS Holder	36316-STXX
Reversing Tungsten Carbide	31104-TXX
Reversing Tungsten Carbide with SS Holder	31104-STXX
Reversing Stainless Steel	31104-SXX
Reversing Urethane	31104-UXX