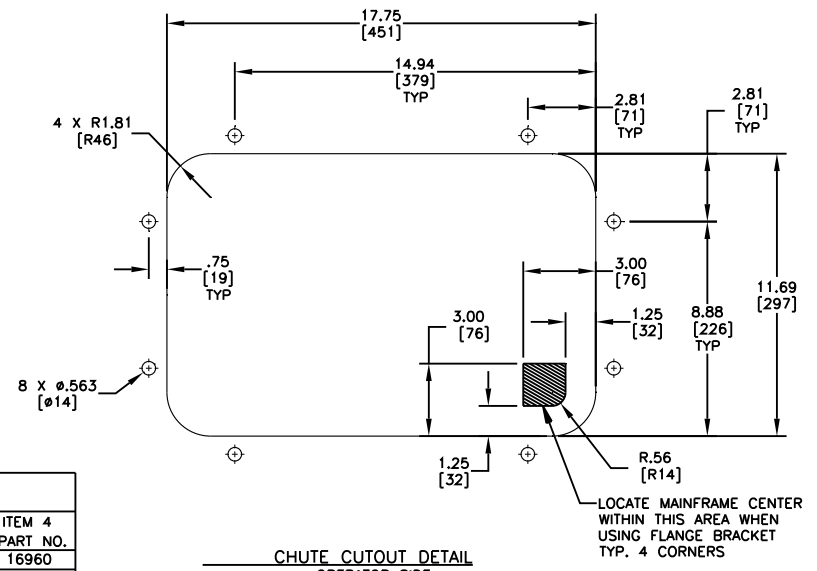
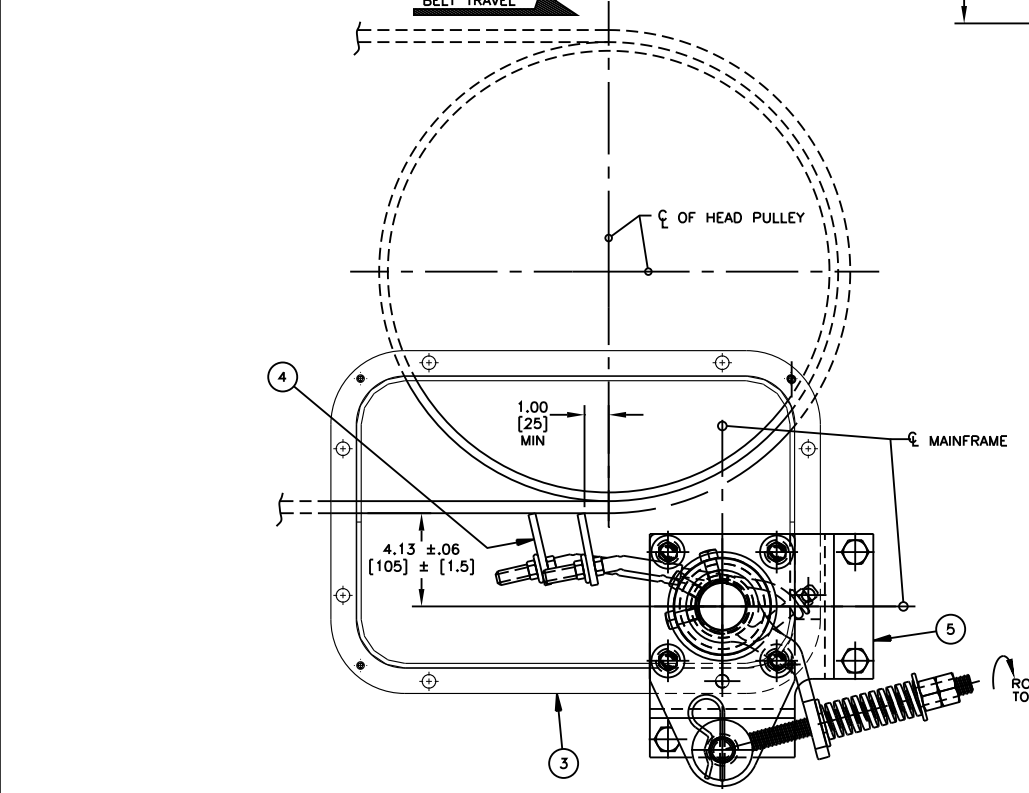
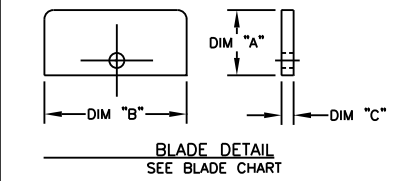


MAINFRAME ASM PART NUMBER	BELT WIDTH	FRAME LENGTH	BLADE COVERAGE	QUANTITY ITEM 4
21042-06X	6.00 [150-300]	47.00 [1194]	6.50 [165]	1
21042-12X	12.00 [300-400]	47.00 [1194]	10.50 [267]	2
21042-18X	18.00 [400-500]	54.00 [1372]	14.50 [368]	3
21042-24X	24.00 [500-600]	60.00 [1524]	18.50 [470]	4
21042-30X	30.00 [650-800]	68.00 [1727]	26.50 [673]	6
21042-36X	36.00 [800-1000]	68.00 [1527]	30.50 [775]	7
21042-42X	42.00 [1000-1200]	82.00 [2083]	38.50 [978]	9
21042-48X	48.00 [1200-1400]	82.00 [2083]	42.50 [1080]	10
21042-54X *	54.00 [1400-1600]	89.00 [2261]	50.50 [1283]	12
21042-60X *	60.00 [1600-1800]	96.00 [2438]	54.50 [1385]	13
21042-66X *	66.00 [1600-1800]	110.00 [2794]	62.50 [1588]	15
21042-72X *	72.00 [1800-2000]	110.00 [2794]	66.50 [1689]	16
21042-78X *	78.00 [1800-2000]	114.00 [2896]	74.50 [1892]	18
21042-84X *	84.00 [2000-2200]	120.00 [3048]	78.50 [1994]	19
21042-96X *	96.00 [2200-2400]	132.00 [3353]	90.50 [2299]	22

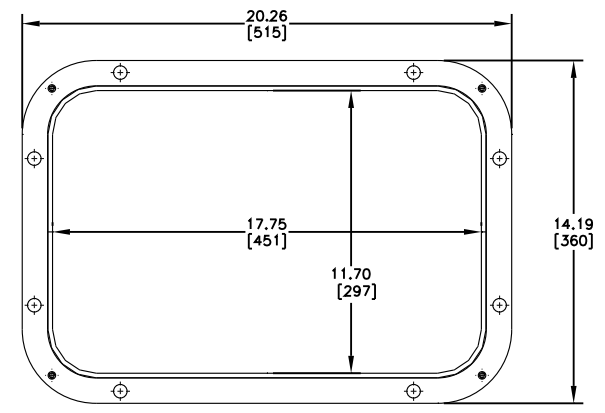
\* - SEE NOTE 2

BLADE CHART - ITEM 4					
ASSEMBLY PART NUMBER	SEE BLADE DETAIL			MATERIAL	ITEM 4 PART NO.
	DIM "A"	DIM "B"	DIM "C"		
21042-XXS	3.00 [76]	6.50 [165]	.19 [5]	STAINLESS STEEL	16960
21042-XXC	2.63 [67]	6.00 [152]	.72 [18]	CERAMIC *	17094
21042-XXT	3.00 [76]	6.50 [165]	.25 [6]	SINGLE EDGE TUNGSTEN CARBIDE	27924
21042-XXD	4.50 [114]	6.50 [165]	.25 [6]	DOUBLE EDGE TUNGSTEN CARBIDE	28020
21042-XXU	3.13 [80]	6.50 [165]	.72 [18]	URETHANE *	16943
21042-XXH	3.00 [76]	6.50 [165]	.25 [6]	HEAT TREATED	24259

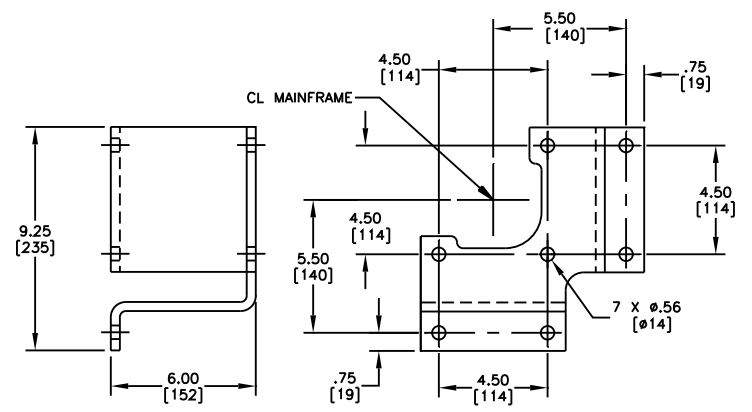
\* INDICATES THE BLADES WITH STAINLESS STEEL HOLDERS



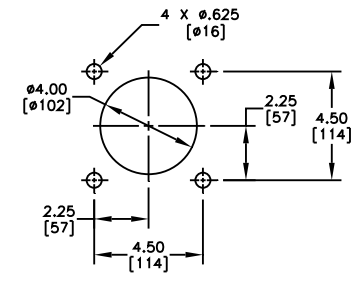
CHUTE CUTOUT DETAIL OPERATOR SIDE



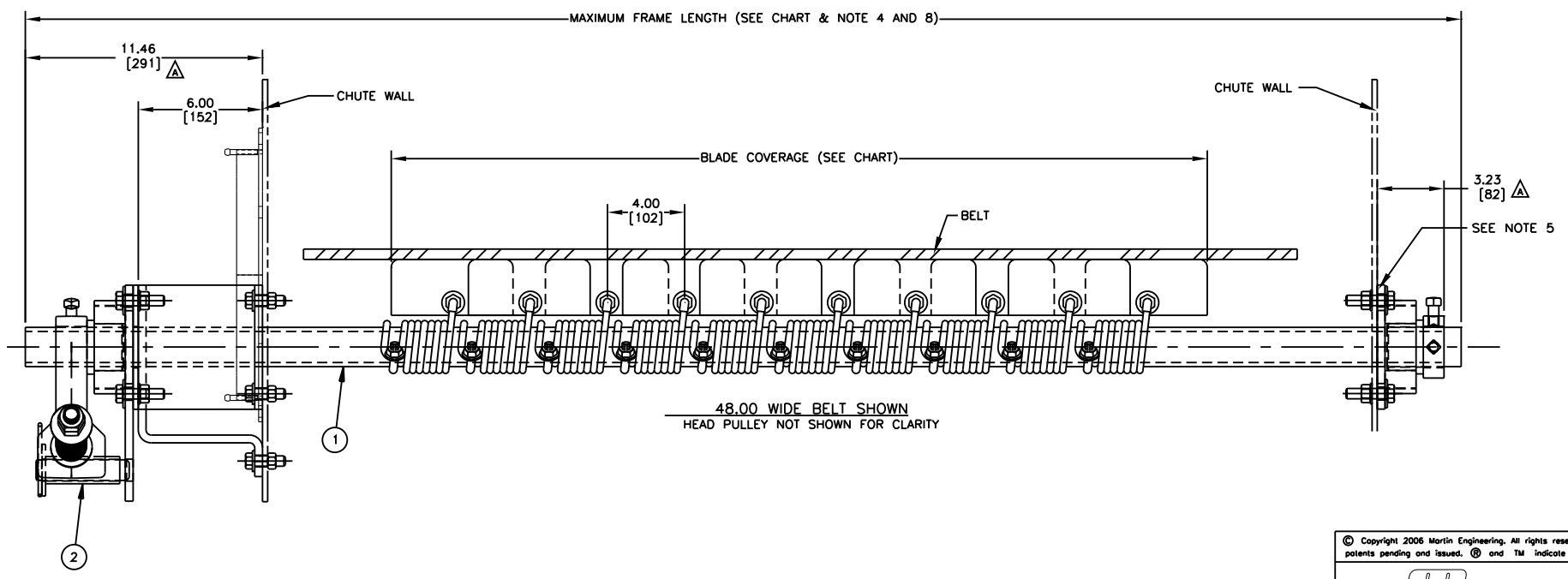
12.00 X 18.00 CYAR® DOOR DETAIL (OPTIONAL RECOMMENDED EQUIPMENT) SEE NOTE 11



FLANGE BRACKET DETAIL (OPTIONAL RECOMMENDED EQUIPMENT)



FARSIDE CHUTE CUTOUT DETAIL IF NO CYAR® DOOR IS USED

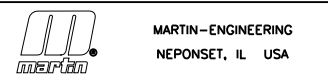


48.00 WIDE BELT SHOWN HEAD PULLEY NOT SHOWN FOR CLARITY

- NOTES:
- 1) ALL DIMENSIONS ARE GIVEN IN INCHES [MM].
  - 2) ALL DIMENSIONS ARE FOR REFERENCE PURPOSES ONLY.
  - 3) FOR BELT WIDTHS 54.00 (1400-1600) AND ABOVE, MARTIN ENGINEERING RECOMMENDS A DUAL SPRING TENSIONER (P/N: 38180-2).
  - 4) FIRST -XX INDICATES BELT WIDTH, LAST X INDICATES BLADE TYPE.
  - 5) WHERE EXTREME OR UNUSUAL CONDITIONS EXIST, OR SPECIAL MAINFRAME LENGTHS ARE REQUIRED, CONSULT MARTIN ENGINEERING FOR ASSISTANCE.
  - 6) FAR SIDE OF MAINFRAME MAY BE MOUNTED TO CHUTE WALL IF NO DOOR IS USED.
  - 7) TENSIONER MAY BE BOLTED OR WELDED IN PLACE, MARTIN ENGINEERING RECOMMENDS BOLTING WHEN APPLICABLE FOR EASIER MAINTENANCE AND ACCESSIBILITY.
  - 8) REFER TO OPERATOR'S MANUAL (P/N: M3296) FOR INSTALLATION DETAILS.
  - 9) FRAME IS LONGER THAN REQUIRED, CUT IN FIELD TO DESIRED LENGTH.
  - 10) WHEN USING A CYAR® DOOR, A MINIMUM OF 2.50 (64) IS REQUIRED FOR THE REMOVAL OF RUBBER DOOR.
  - 11) CYAR® DOOR CAN BE MOUNTED IN ANY ROTATED POSITION AS LONG AS BLADES/ARMS CAN BE REMOVED WITHOUT OBSTRUCTION.

ITEM	QTY.	DESCRIPTION	PART NUMBER
1	1	PM BELT CLEANER MAINFRAME ASM	21042-XXX
2	1	SPRING TENSIONER	38180
3	1	CYAR® DOOR ASM 12 X 18	CYAR-1218
4	SEE CHART	REPLACEMENT BLADE	SEE BLD CHART
5	1	FLANGE BRACKET	30537

© Copyright 2006 Martin Engineering. All rights reserved. Covered by U.S. and foreign patents pending and issued. ® and TM indicate trademarks of Martin Engineering.



NO.	DESCRIPTION	ECN	DATE	BY	SALES DRAWING	DATE	SCALE
C	CHGD P/N 27658-1218 TO CYAR-1218 IN BOM	14496	03/07/16	JAH	PM SECONDARY CLEANER ASSEMBLY WITH SPRING TENSIONER	JAP	1/4
B	RWD P/N 21042-XXR FROM CHART	----	12/20/07	MJB		CHECKED	
A	CHGD DIM FROM 11.98 TO 11.46 & 1.25 TO 3.22 / CHGD P/N FROM 30691-SH TO 38180 IN BOM & NOTES	12123	11/06/07	MJB		APPROVED	
MDO661						S50037	



