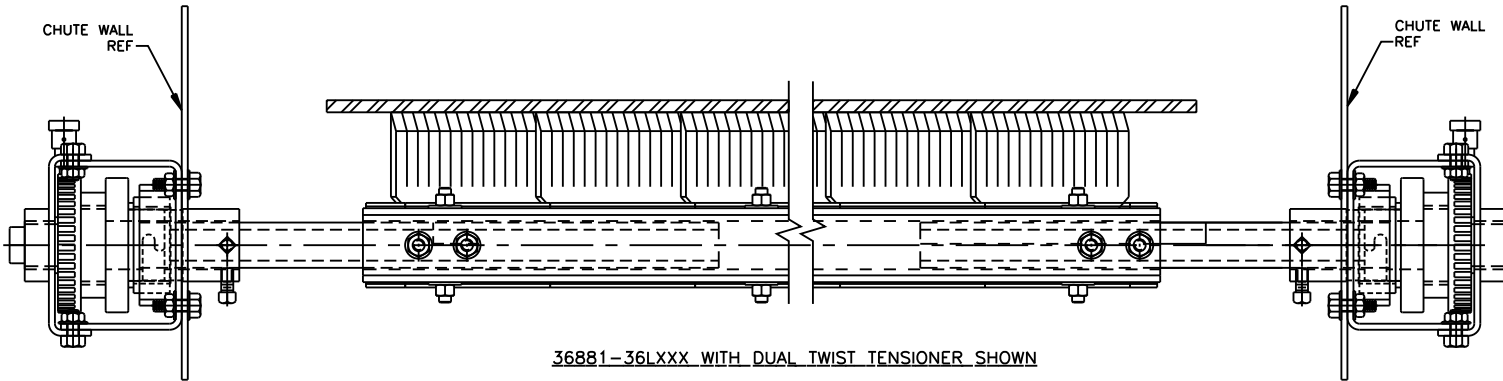
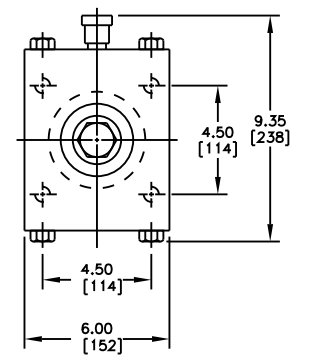
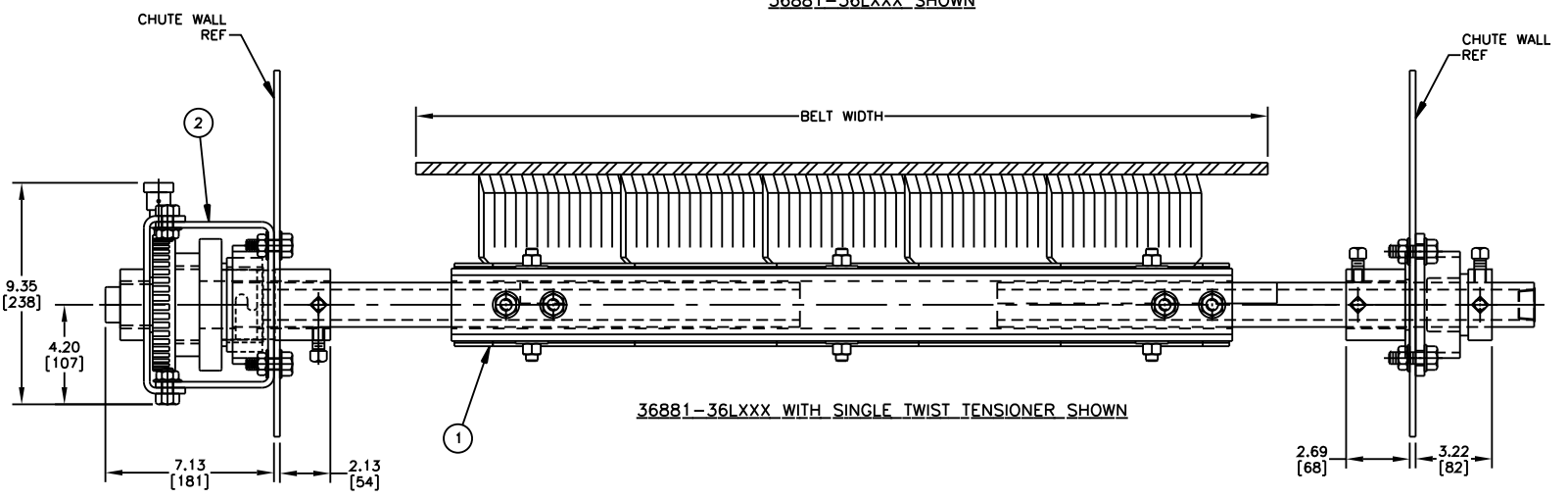
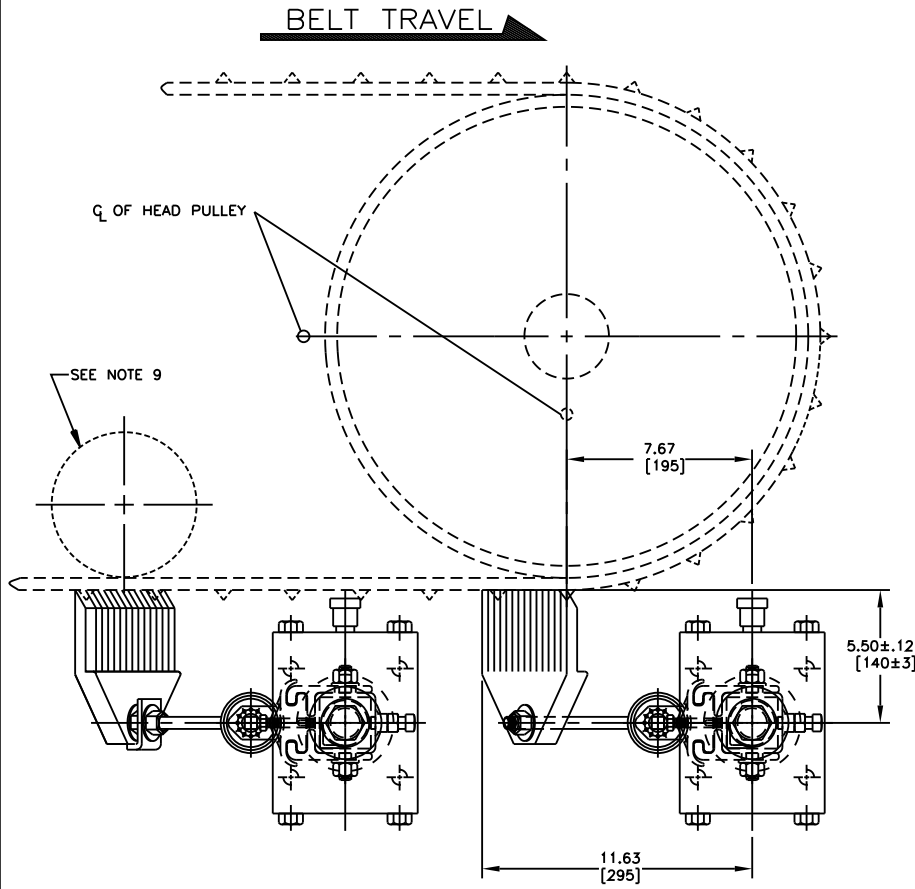
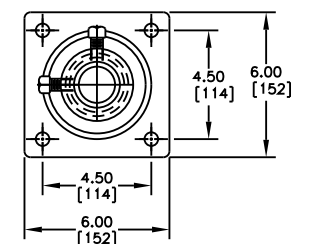
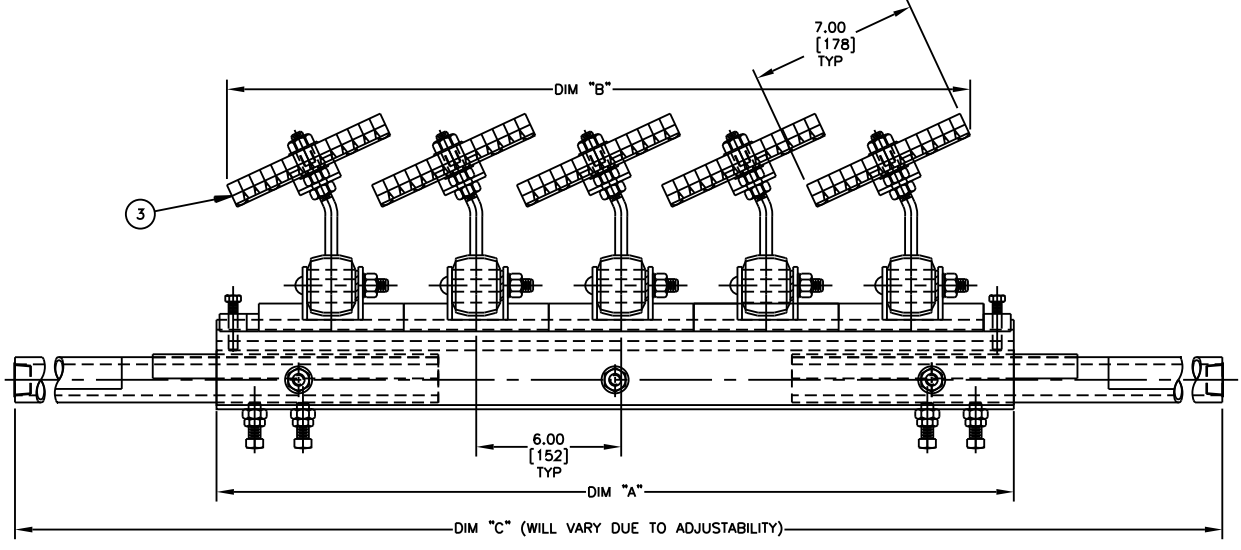
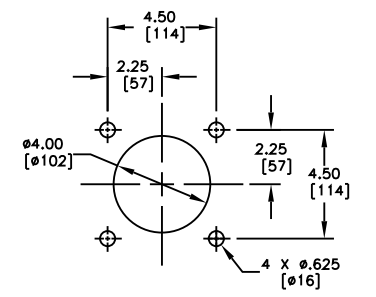
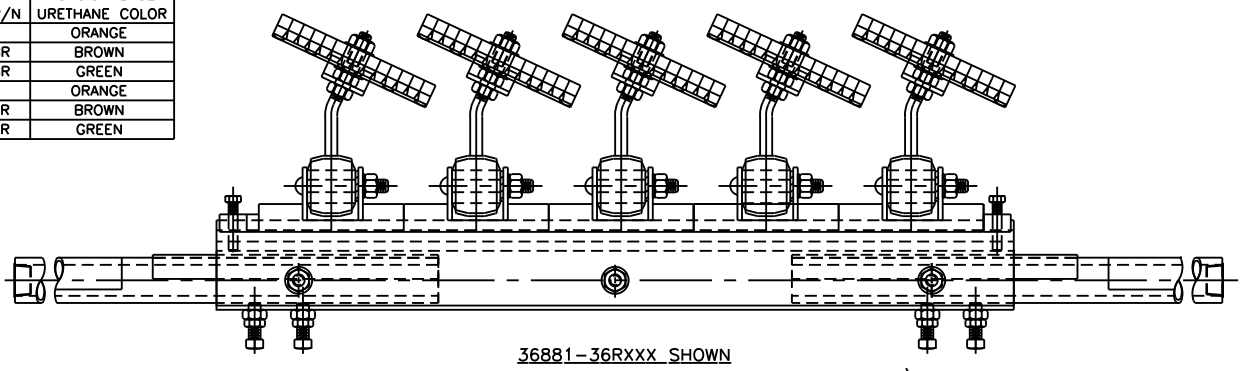


ASSEMBLY P/N	BELT WIDTH	DIM "A" SLEEVE LG	DIM "B" BLADE WIDTH	DIM "C" MAX FRAME LG	BLADE QTY	TENSIONER PART NO.
36881-18XXX	18.00	[457]	12.50 [318]	43.00 [1092]	2	31443
36881-24XXX	24.00	[610]	18.50 [470]	49.00 [1245]	3	31443
36881-30XXX	30.00	[762]	27.00 [686]	61.00 [1549]	4	31443
36881-36XXX	36.00	[914]	33.00 [838]	67.00 [1702]	5	31443
36881-42XXX	42.00	[1067]	39.00 [991]	73.00 [1854]	6	31443
36881-48XXX	48.00	[1219]	45.00 [1143]	79.00 [2007]	7	31443
36881-54XXX	54.00	[1372]	51.00 [1295]	85.00 [2159]	8	31443-2R
36881-60XXX	60.00	[1524]	57.00 [1448]	91.00 [2312]	9	31443-2R
36881-72XXX	72.00	[1829]	69.00 [1753]	109.00 [2769]	11	31443-2R
36881-78XXX	78.00	[1981]	75.00 [1905]	117.00 [2972]	12	31443-2R
36881-84XXX	84.00	[2134]	81.00 [2057]	123.00 [3124]	13	31443-2R
36881-96XXX	96.00	[2438]	93.00 [2362]	135.00 [3429]	15	31443-2R

BLADE CHART				
ASSEMBLY P/N	BLADE MATERIAL	CHEVRON BLADE P/N	TORSION ARM ASSEMBLY P/N	TORSION BASE URETHANE COLOR
36881-XXXU	URETHANE	32262	32270-XU	ORANGE
36881-XXXUBR	URETHANE	32262	32270-XUBR	BROWN
36881-XXXUGR	URETHANE	32262	32270-XUGR	GREEN
36881-XXXR	RUBBER	32757	32270-XR	ORANGE
36881-XXXRBR	RUBBER	32757	32270-XRBR	BROWN
36881-XXXRGR	RUBBER	32757	32270-XRGR	GREEN

ITEM	QTY.	DESCRIPTION	PART NUMBER
1	1	CHEVRON BELT CLEANER	36881-XXXXX
2	1	TWIST TENSIONER	SEE CHART
3	SEE CHART	CHEVRON BLADE	SEE BLADE CHART



- NOTES:
- 1) ALL DIMENSIONS ARE GIVEN IN INCHES [MM].
 - 2) ALL DIMENSIONS ARE FOR REFERENCE ONLY.
 - 3) THE FIRST XX INDICATES BELT WIDTH, THE THIRD X INDICATES LEFT OR RIGHT ARM WELDMENT AND THE FOURTH X INDICATES BLADE TYPE. THE LAST TWO XX INDICATE URETHANE TORSION BASE COLOR.
 - 4) THE CHEVRON BELT CLEANER SYSTEM IS RECOMMENDED ON CHEVRON RIBBED OR CLEATED BELTS.
 - 5) MARTIN ENGINEERING RECOMMENDS INSTALLING A LEFT AND A RIGHT CLEANER ASSEMBLIES FOR BEST CLEANING RESULTS.
 - 6) REFER TO OPERATOR'S MANUALS M3266 & M3296 FOR COMPLETE INSTALLATION INSTRUCTIONS.
 - 7) FOR BELT WIDTHS 48.00 [1372] AND UNDER, MARTIN ENGINEERING RECOMMENDS USING A SINGLE TWIST TENSIONER ASSEMBLY, P/N 31443, FOR BELTS 54.00 [1372] AND LARGER USE A DUAL TWIST TENSIONER ASSEMBLY, P/N 31443-2R.
 - 8) BLADE COVERAGE WITH BE 5.50 [140] LESS THAN BELT WIDTH DUE TO POSSIBLE MISTRACKING OR DAMAGED EDGES OF BELT.
 - 9) FOR BEST RESULTS, INSTALL A ROLLER FOR PROPER BELT SUPPORT IF CLEANER IS NOT INSTALLED ON HEAD PULLEY.

NO.	DESCRIPTION	ECN	DATE	BY

AutoCAD REVISION

© Copyright 2008 Martin Engineering. All rights reserved. Covered by U.S. and foreign patents pending and issued. ® and TM indicate trademarks of Martin Engineering.

MARTIN ENGINEERING NEPONSET ILLINOIS USA

TITLE: DIRT TRACKER™ CHEVRON BELT CLEANER W/SPLIT ALUMINUM FRAME AND TWIST TENSIONER

DRAWN: JAP DATE: 07/02/08
CHECKED: ENG. [Signature] DATE: 07/03/08
APPROVED: [Signature] DATE: 07/07/08
SCALE: 1/4"=1"

SALES DRAWING: S50058

