

# Cougar® Hazardous Location Electric Vibrators B-Series

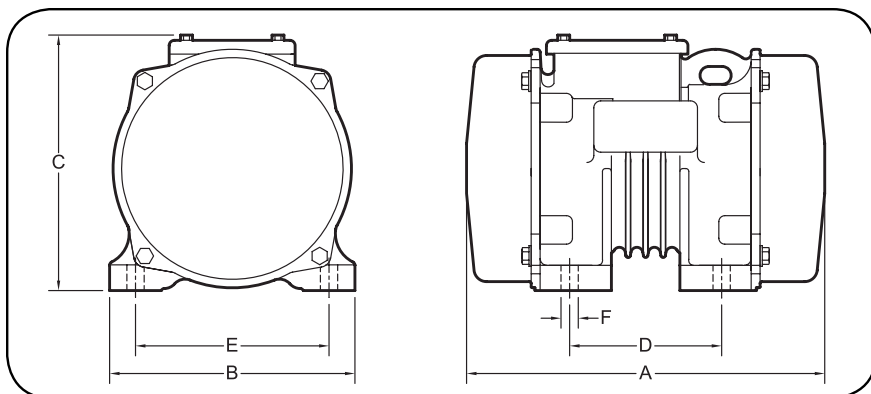


## FEATURES

- UL Listed for Class II Group E, F & G, Division 1 & 2
- 1000 Force lb – 1750 RPM
- 230 volt/ 460 volt – 3 Phase
- Ductile Iron Bearing Housings
- Roller Bearings Designed for Vibration
- High Temperature Class H Windings

## Specify Cougar for:

- Cost effective solutions
- Expert technical assistance
- Complete service and support



## DIMENSIONS (inch)

Part Number	Model	A	B	C	Bolt Pattern		Bolt Size	Weight lbs
					D	E	F	
206029-21	B3X-1000-1A-4	11.625	7.75	8.313	5	6	½	44

## PERFORMANCE DATA

In. Lbs.	RPM	Force Lbs.	Amps		HP
			230 Volt	460 Volt	
11.50	1750	1000	2.30	1.20	¼

## ACCESSORIES

Part Number	Description
32401-B1	W-Beam Mount with Safety Cable Assembly
220555	Mount Plate Only Drilled and Tapped

Part Number	Description
32271	Safety Cable Assembly
38902-20	Adj. On/Off Timer 115/1/60 NEMA 4 Enclosure



**Martin Engineering USA**  
 One Martin Place  
 Neponset, IL 61345-9766 USA  
 800 544 2947 or 309 852 2384  
 Fax 800 814 1553  
 www.martin-eng.com

COMPANY WITH  
 QUALITY SYSTEM  
 CERTIFIED BY DNV  
 = ISO 9001:2008 =

**COUGAR**  
 VIBRATION SOLUTIONS